

CUTTING BOARD MWCB-651GPBB



FEATURES

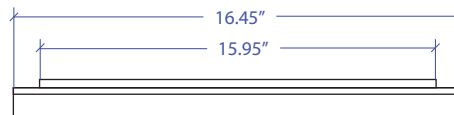
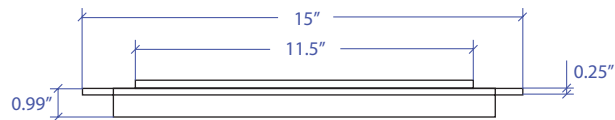
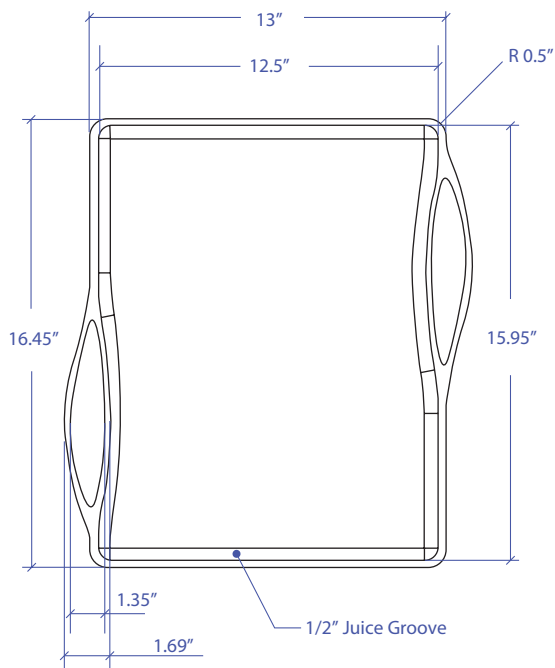
- Stainless Steel Construction
- Removable Cutting Board

TECHNICAL INFORMATION

- Dimension: 16.45" L x 15" W
- Thickness: 0.25"
- Corner: 0.5" Round

FINISHES

- Graphite PVD Satin Brushed Stainless Steel
- Natural Bamboo



PROJECT INFORMATION

Project			
Date	/ /	QTY	
Specifier			
Contact			
Note			