

\*ADA compliant

## FEATURES

- 16-gauge type 304 stainless steel
- 1/4" slotted drain

## TECHNICAL INFORMATION

- External dimension: 22" L x 15" W x 3.25" D
- Basin dimensions: 20" L x 13" W x 2.5" D

## FINISHES

- Satin Brushed stainless steel

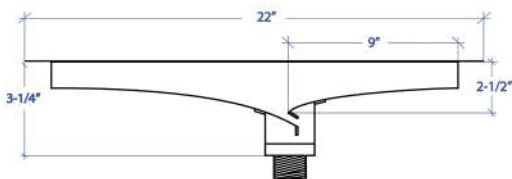
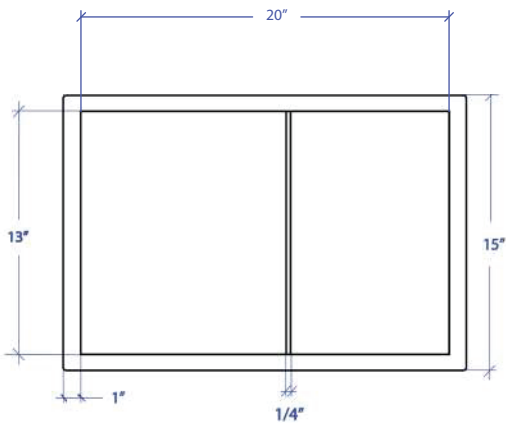
## INSTALLATION OPTIONS

- Under-mount

## INSTALLATION TYPE



Under-mount



PROJECT INFORMATION			
Project			
Date	/ /	QTY	
Specifier			
Contact			
Note			