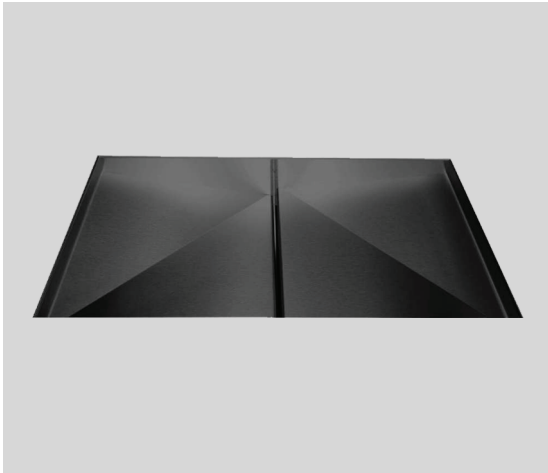


GÜELL MGUB-302GPSB



*ADA compliant

FEATURES

- 16-gauge type 304 stainless steel
- 1/4" slotted drain

TECHNICAL INFORMATION

- External dimension: 22" L x 15" W x 3.25" D
- Basin dimensions: 20" L x 13" W x 2.5" D

FINISHES

- Graphite PVD Satin Brushed stainless steel

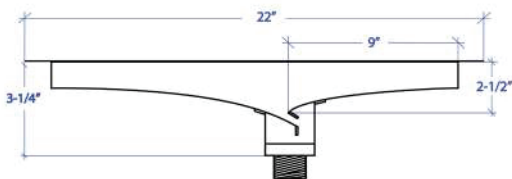
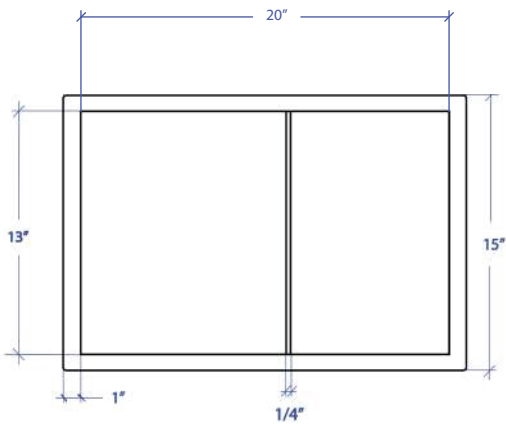
INSTALLATION OPTIONS

- Under-mount

INSTALLATION TYPE



Under-mount



PROJECT INFORMATION			
Project			
Date	/	/	QTY
Specifier			
Contact			
Note			

BATHROOM UNDER-MOUNT