

CUTTING BOARD MWCB-651GDBB



• FEATURES

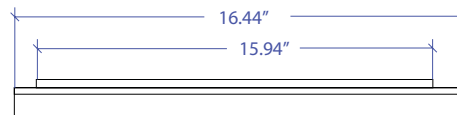
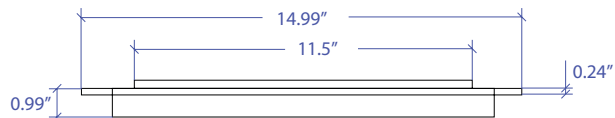
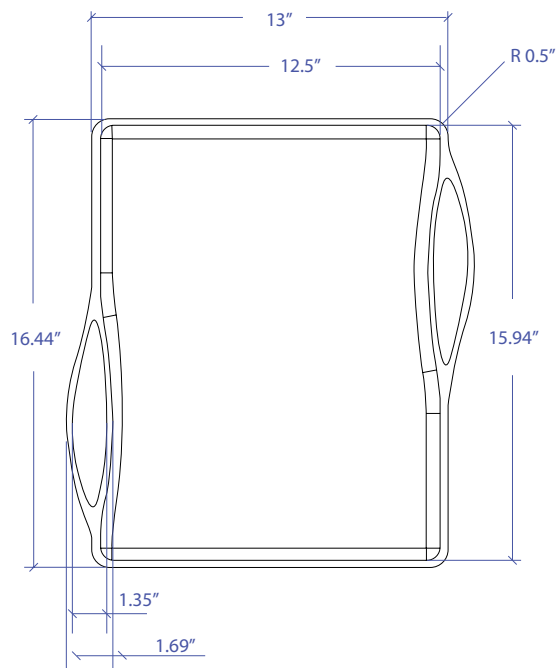
Stainless Steel Construction
Removable Cutting Board

• TECHNICAL INFORMATION

Dimension: 16.44"Lx14.99"W
Thickness: 0.24"
Corner: 0.5" Round

• FINISHES

Gold PVD Satin Brushed Stainless Steel
Natural Bamboo



PROJECT INFORMATION			
Project			
Date	/ /	QTY	
Specifier			
Contact			
Note			