

BAIN MARIE MWBM-651GDSB



• FEATURES

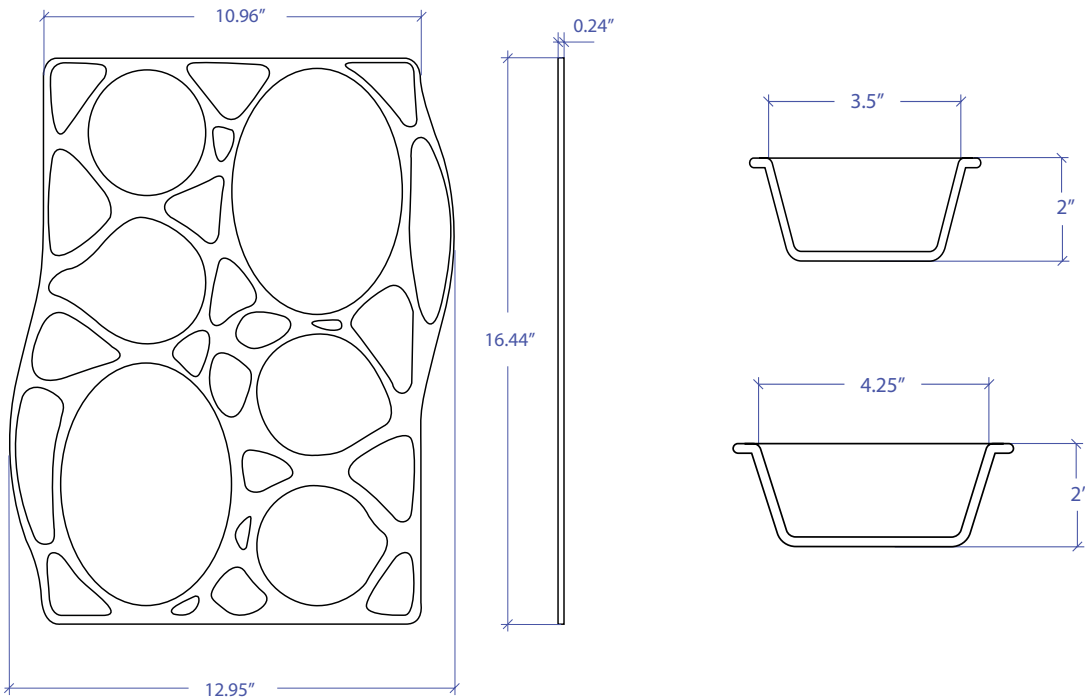
- 4 x 3.5" Borosilicate Glass Bowl With Cover
- 2 x 4.25" Borosilicate Glass Bowl With Cover
- 1 x Stainless Steel Tray

• TECHNICAL INFORMATION

- Tray: 0.24" 304 Stainless Steel Construction
- Glass Bowl: Borosilicate Glass

• FINISHES

- Tray: Gold PVD Satin Brushed
- Glass Bowl: Clear



PROJECT INFORMATION			
Project			
Date	/	/	QTY
Specifier			
Contact			
Note			