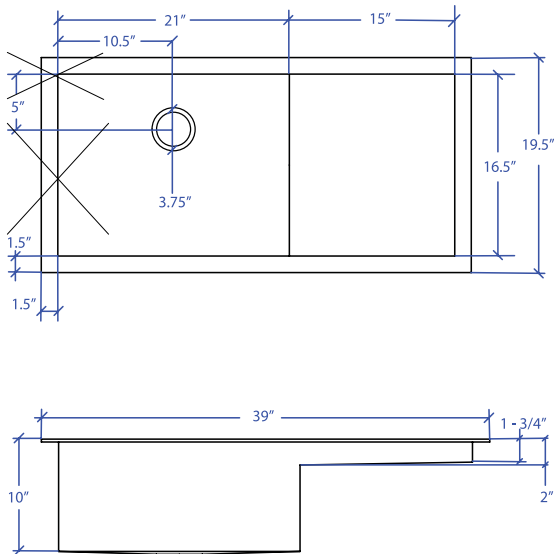


ATELIER MPS-652SB



*Custom ADA compliant sinks are available



• FEATURES

16-gauge type 304 stainless steel
TRI-MOUNT™ installation system

• TECHNICAL INFORMATION

External dimension: 39" L x 19.5" W x 10" D
Basin dimensions: 21" L x 16.5" W x 10" D
Prepboard: 15"
Frame width: 1-1/2"
Frame thickness: 1/4"

• FINISHES

Satin Brushed stainless steel

• INSTALLATION OPTIONS

Flush-mount
Drop-In
Under-mount

• MINIMUM CABINET SIZE (I.D.)

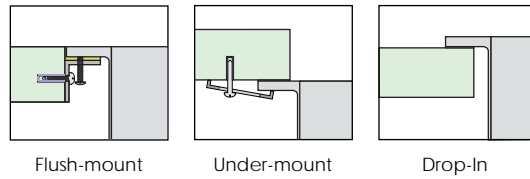
Flush-mount 41"
Drop-in 38"
Under-mount 42"

• INDUSTRY'S ONLY STAINLESS STEEL SINK DESIGNED SPECIFICALLY TO BE FLUSH-MOUNTED

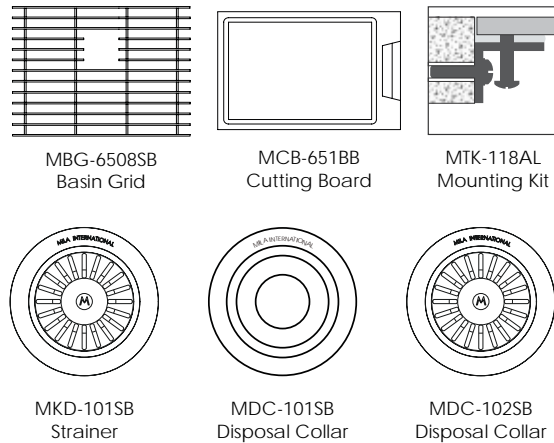
• U.S. PATENT NO. 9,988,799

• CANADIAN PATENT NO. 2579506

• TRI-MOUNT INSTALLATION



• ACCESSORIES



PROJECT INFORMATION			
Project			
Date	/ /	QTY	
Specifier			
Contact			
Note			

PREP BOARD TRI-MOUNT™