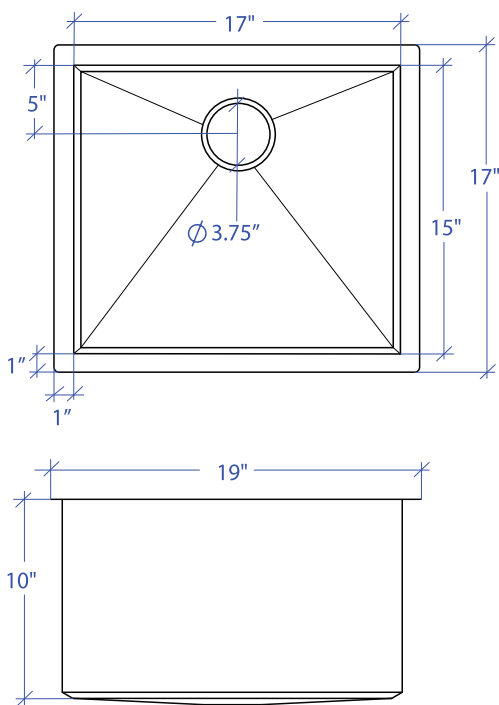


ORION MOUS-501SB



*Custom ADA compliant sinks are available

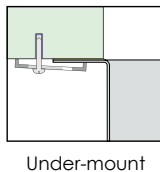


PROJECT INFORMATION			
Project			
Date	/ /	QTY	
Specifier			
Contact			
Note			

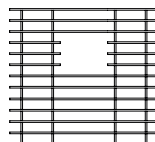
- FEATURES**
 16-gauge type 304 stainless steel
 Bevel basin design
- TECHNICAL INFORMATION**
 External dimension: 19"Lx17"Wx10"D
 Basin dimensions: 17"Lx15"Wx10"D
- FINISHES**
 Satin Brushed stainless steel
- INSTALLATION OPTIONS**
 Under-mount
- MINIMUM CABINET SIZE (I.D.)**
 Under-mount 22"

• US DESIGN PATENT D618,324 S

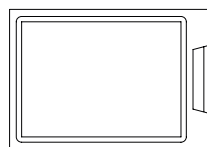
• DUAL-MOUNT INSTALLATION



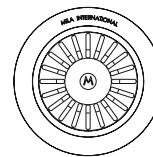
• ACCESSORY OPTIONS



MBG-053SB
Basin Grid



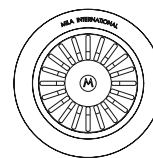
MCB-501BB
Cutting Board



MKD-101SB
Strainer



MDC-101SB
Disposal Collar



MDC-102SB
Disposal Collar

UNDER-MOUNT