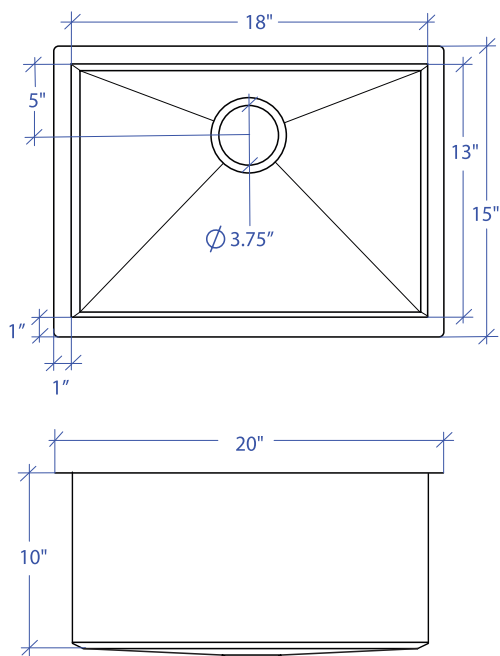


ORION MOUS-301SB



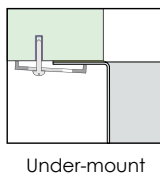
*Custom ADA compliant sinks are available



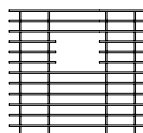
- **FEATURES**
16-gauge type 304 stainless steel
Bevel basin design
- **TECHNICAL INFORMATION**
External dimension: 20"Lx15"Wx10"D
Basin dimensions: 18"Lx13"Wx10"D
- **FINISHES**
Satin Brushed stainless steel
- **INSTALLATION OPTIONS**
Under-mount
- **MINIMUM CABINET SIZE (I.D.)**
Under-mount 23"

• US DESIGN PATENT D618,324 S

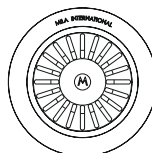
• DUAL-MOUNT INSTALLATION



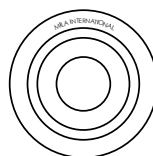
• ACCESSORY OPTIONS



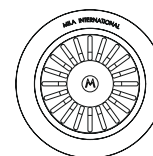
MBG-031SB
Basin Grid



MKD-101SB
Strainer



MDC-101SB
Disposal Collar



MDC-102SB
Disposal Collar

PROJECT INFORMATION			
Project			
Date	/ /	QTY	
Specifier			
Contact			
Note			