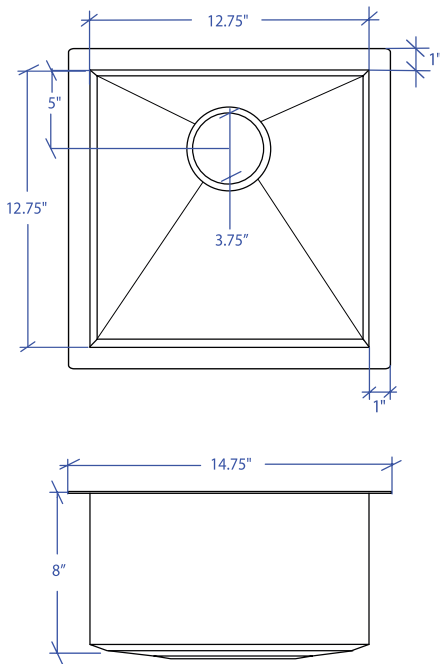


# ORION MOEU-301SB



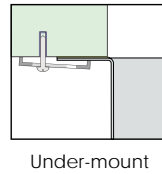
\*Custom ADA compliant sinks are available



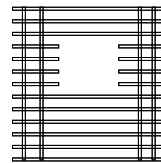
- **FEATURES**  
16-gauge type 304 stainless steel  
Bevel basin design
- **TECHNICAL INFORMATION**  
External dimension: 14.75" Lx14.75" Wx8" D  
Basin dimensions: 12.75" Lx12.75" Wx8" D
- **FINISHES**  
Satin Brushed stainless steel
- **INSTALLATION OPTIONS**  
Drop-in  
Under-mount
- **MINIMUM CABINET SIZE (I.D.)**  
Under-mount 17.75"

## • US DESIGN PATENT D618,324 S

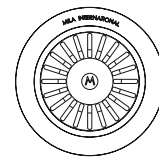
## • DUAL-MOUNT INSTALLATION



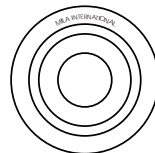
## • ACCESSORY OPTIONS



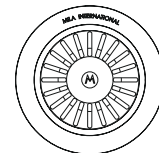
MBG-032SB  
Basin Grid



MKD-101SB  
Strainer



MDC-101SB  
Disposal Collar



MDC-102SB  
Disposal Collar

PROJECT INFORMATION			
Project			
Date	/ /	QTY	
Specifier			
Contact			
Note			