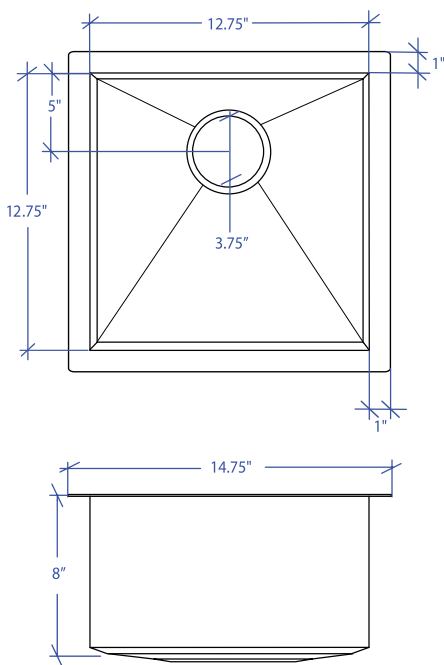


ORION MOEU-301RGSB



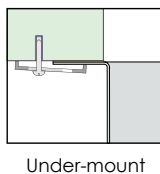
*Custom ADA compliant sinks are available



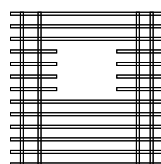
- **FEATURES**
16-gauge type 304 stainless steel
Bevel basin design
- **TECHNICAL INFORMATION**
External dimension: 14.75"Lx14.75"Wx8"D
Basin dimensions: 12.75"Lx12.75"Wx8"D
- **FINISHES**
Rose Gold PVD Satin Brushed stainless steel
- **INSTALLATION OPTIONS**
Under-mount
- **MINIMUM CABINET SIZE (I.D.)**
Under-mount 17.75"

• US DESIGN PATENT D618,324 S

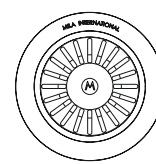
• DUAL-MOUNT INSTALLATION



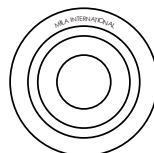
• ACCESSORY OPTIONS



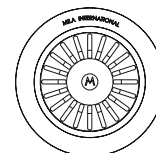
MBG-032RGSB
Basin Grid



MKD-101RGSB
Strainer



MDC-101RGSB
Disposal Collar



MDC-102RGSB
Disposal Collar

PROJECT INFORMATION			
Project			
Date	/ /	QTY	
Specifier			
Contact			
Note			

ENTERTAINMENT UNDER-MOUNT