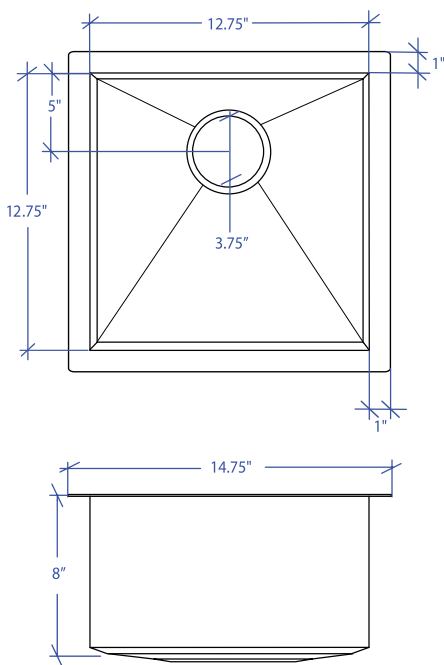


ORION MOEU-301GPSB



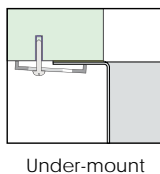
*Custom ADA compliant sinks are available



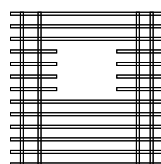
- **FEATURES**
16-gauge type 304 stainless steel
Bevel basin design
- **TECHNICAL INFORMATION**
External dimension: 14.75" Lx14.75" Wx8" D
Basin dimensions: 12.75" Lx12.75" Wx8" D
- **FINISHES**
Graphite PVD Satin Brushed stainless steel
- **INSTALLATION OPTIONS**
Under-mount
- **MINIMUM CABINET SIZE (I.D.)**
Under-mount 17.75"

• US DESIGN PATENT D618,324 S

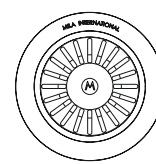
• DUAL-MOUNT INSTALLATION



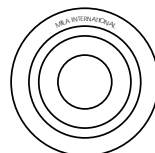
• ACCESSORY OPTIONS



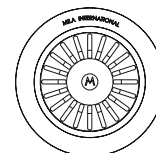
MBG-032GPSB
Basin Grid



MKD-101GPSB
Strainer



MDC-101GPSB
Disposal Collar



MDC-102GPSB
Disposal Collar

PROJECT INFORMATION			
Project			
Date	/ /	QTY	
Specifier			
Contact			
Note			

ENTERTAINMENT UNDER-MOUNT