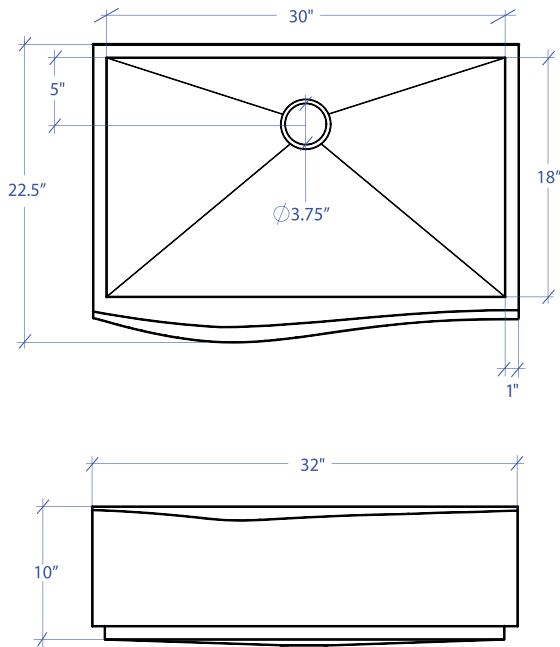


APRON FRONT MAS-805SB



*Custom ADA compliant sinks are available



• FEATURES

16-gauge type 304 stainless steel

• TECHNICAL INFORMATION

External dimension: 32" Lx22.5" Wx10" D
Basin dimensions: 30" Lx18" Wx10" D

• FINISHES

Satin Brushed stainless steel

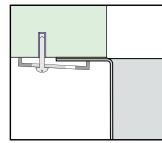
• INSTALLATION OPTIONS

Flush-mount
Under-mount

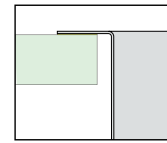
• MINIMUM CABINET SIZE (I.D.)

Flush-mount 35"
Under-mount 35"

• DUAL-MOUNT INSTALLATION

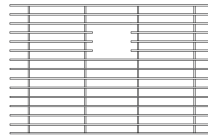


Under-mount



Top-mount

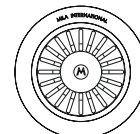
• ACCESSORY OPTIONS



MBG-086SB
Basin Grid



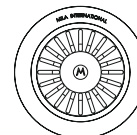
MCB-801BB
Cutting Board



MKD-101SB
Strainer



MDC-101SB
Disposal Collar



MDC-102SB
Disposal Collar

PROJECT INFORMATION			
Project			
Date	/ /	QTY	
Specifier			
Contact			
Note			