

MT102

EURO STYLE SOAP/LOTION DISPENSER

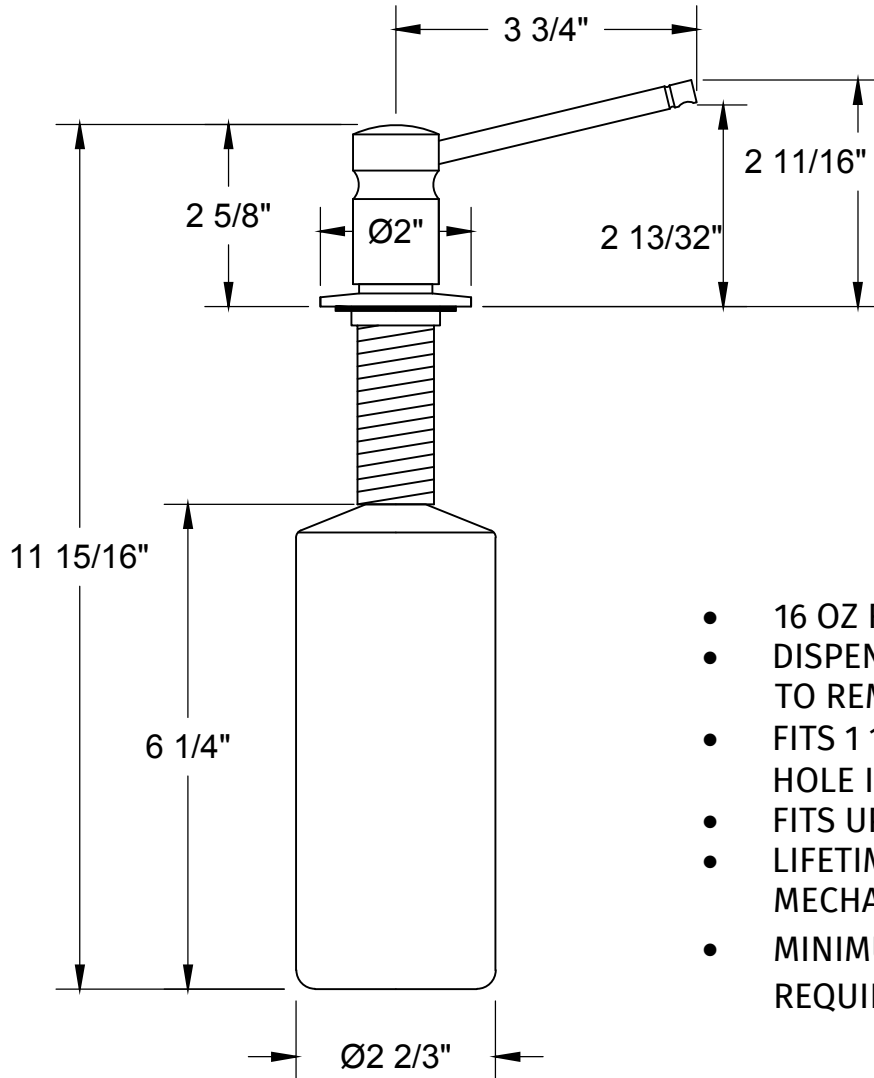
SPECIFICATION SHEET



A McAlpine Company

Mountain

Plumbing Products



- 16 OZ RESERVOIR BOTTLE
- DISPENSER FILLS FROM TOP. NO NEED TO REMOVE BOTTLE UNDERNEATH.
- FITS 1 1/8" MINIMUM, 1 1/2" MAXIMUM HOLE IN DECK
- FITS UP TO 2" THICK COUNTERTOP.
- LIFETIME WARRANTY ON PUMP MECHANISM
- MINIMUM DECK THICKNESS OF 0.26" REQUIRED

WARRANTY

FOR WARRANTY INFO PLEASE VISIT WWW.MOUNTAINPLUMBING.COM/PAGE/RESOURCES/WARRANTY

FINISH CARE & MAINTENANCE

NEVER USE ANY HARSH ALKALI, ACID BASED DETERGENTS OR CLEANERS SUCH AS SOFT SCRUB®, SCRUBBING BUBBLES® OR COMET® TO CLEAN. DO NOT USE BRILLO® AND SCOTCH BRITE® PADS. THESE WILL ALL HARM THE FINISH. TO CLEAN, USE ONLY A DAMP SOFT CLOTH AND WIPE USING A SOFT CLOTH. STANDARD WINDEX® CAN ALSO BE USED SPARINGLY. IT IS NOT NECESSARY TO WIPE HARD TO REMOVE SPOTS. TO MAINTAIN THE FINISH, WIPE WITH A SOFT DRY CLOTH AFTER USE. AN OCCASIONAL COAT OF PURE CARNAUBA WAX WITHOUT CLEANERS WILL HELP PROTECT THE FINISH.

SPECIFICATIONS SUBJECT TO CHANGE WITHOUT NOTICE