

# MT10-6/8/10/12/16

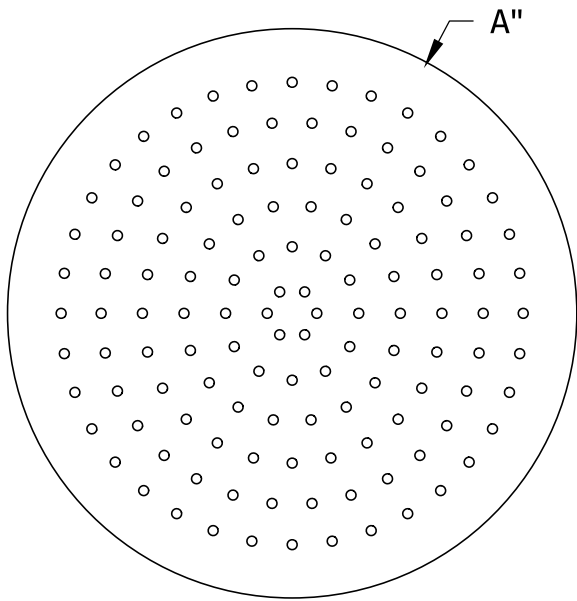
## MOUNTAIN RE-VIVE™ ROUND RAIN HEAD

### SPECIFICATION SHEET



# Mountain

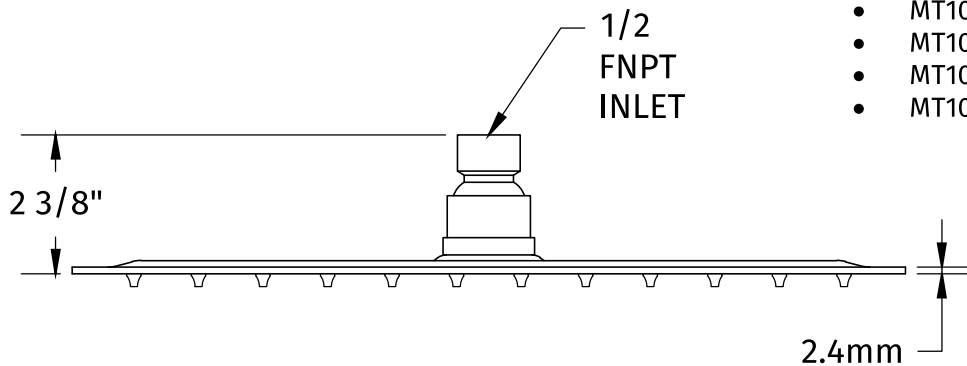
Plumbing Products



- STAINLESS STEEL CONSTRUCTION
- ULTRA SLIM 2.4 mm
- 1.6 GPM FLOW RESTRICTOR INSTALLED
- OPTIONAL 2.5 GPM RESTRICTOR INCLUDED
- SEAMLESS CONSTRUCTION
- CLOG-FREE NOZZLES
- (MT10-12 SHOWN)

MODEL NUMBER	DIM A	NOZZLES
--------------	-------	---------

- |             |      |     |
|-------------|------|-----|
| • MT10-6:   | Ø6"  | 60  |
| • MT10-8:   | Ø8"  | 90  |
| • MT10-10*: | Ø10" | 126 |
| • MT10-12*: | Ø12" | 168 |
| • MT10-16*: | Ø16" | 198 |



\* DUE TO SIZE AND WEIGHT, THESE SHOWER HEADS ARE BEST SUITED TO BE USED EXCLUSIVELY AS A RAIN HEAD.

#### WARRANTY

FOR WARRANTY INFO PLEASE VISIT [WWW.MOUNTAINPLUMBING.COM/PAGE/RESOURCES/WARRANTY](http://WWW.MOUNTAINPLUMBING.COM/PAGE/RESOURCES/WARRANTY)

#### FINISH CARE & MAINTENANCE

NEVER USE ANY HARSH ALKALI, ACID BASED DETERGENTS OR CLEANERS SUCH AS SOFT SCRUB®, SCRUBBING BUBBLES® OR COMET® TO CLEAN. DO NOT USE BRILLO® AND SCOTCH BRITE® PADS. THESE WILL ALL HARM THE FINISH. TO CLEAN, USE ONLY A DAMP SOFT CLOTH AND WIPE USING A SOFT CLOTH. STANDARD WINDEX® CAN ALSO BE USED SPARINGLY. IT IS NOT NECESSARY TO WIPE HARD TO REMOVE SPOTS. TO MAINTAIN THE FINISH, WIPE WITH A SOFT DRY CLOTH AFTER USE. AN OCCASIONAL COAT OF PURE CARNAUBA WAX WITHOUT CLEANERS WILL HELP PROTECT THE FINISH.

SPECIFICATIONS SUBJECT TO CHANGE WITHOUT NOTICE