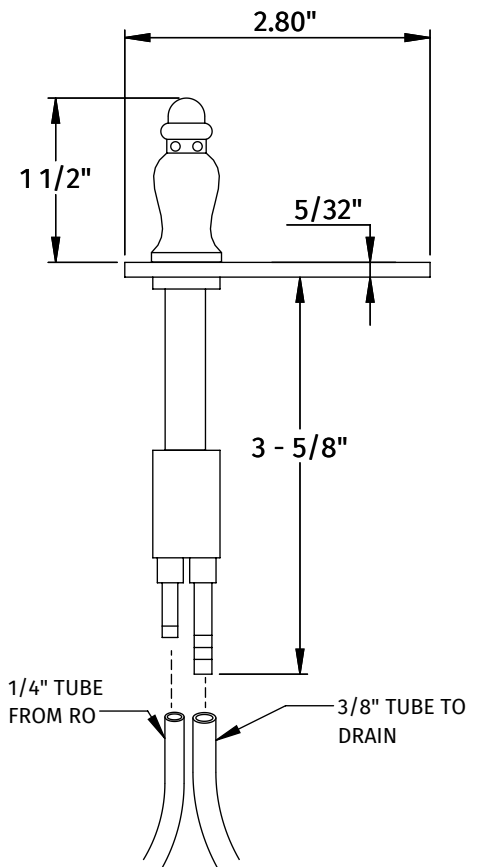
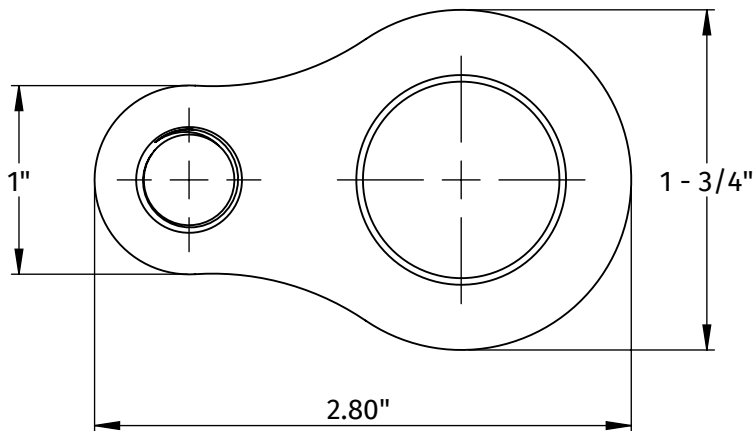
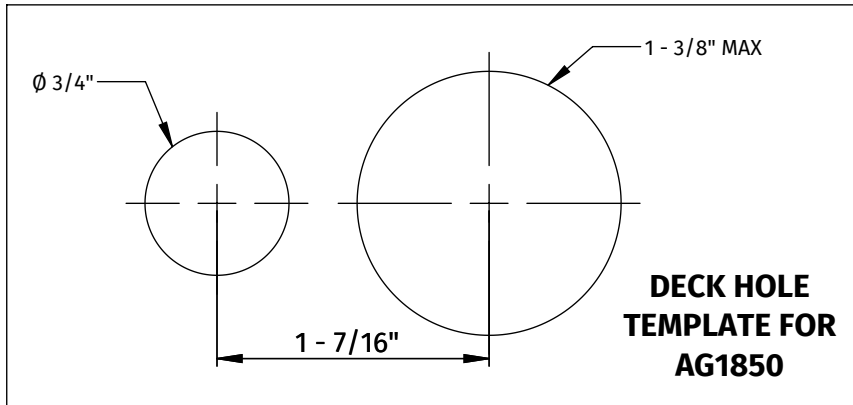


AG1850

DECORATIVE AIR GAP FOR FAUCETS WITH RO FILTER SYSTEMS

SPECIFICATION SHEET



- PREVENTS BACKFLOW IN REVERSE OSMOSIS SYSTEMS
- CHECK WITH RO SYSTEM MANUFACTURER TO SEE IF AIR GAP IS REQUIRED
- TRADITIONAL STYLING
- FITS MT18XX-NL FAUCETS AS WELL AS MT620-NL, MT624-NL, MT630-NL

WARRANTY

FOR WARRANTY INFO PLEASE VISIT WWW.MOUNTAINPLUMBING.COM/PAGE/RESOURCES/WARRANTY

FINISH CARE & MAINTENANCE

NEVER USE ANY HARSH ALKALI, ACID BASED DETERGENTS OR CLEANERS SUCH AS SOFT SCRUB®, SCRUBBING BUBBLES® OR COMET® TO CLEAN. DO NOT USE BRILLO® OR SCOTCH BRITE® PADS. THESE WILL ALL HARM THE FINISH. TO CLEAN, USE ONLY A DAMP SOFT CLOTH AND WIPE GENTLY. STANDARD WINDEX® CAN ALSO BE USED SPARINGLY. IT IS NOT NECESSARY TO WIPE HARD TO REMOVE SPOTS. TO MAINTAIN THE FINISH, WIPE WITH A SOFT DRY CLOTH AFTER USE. AN OCCASIONAL COAT OF PURE CARNAUBA WAX WITHOUT CLEANERS WILL HELP PROTECT THE FINISH.

SPECIFICATIONS SUBJECT TO CHANGE WITHOUT NOTICE

www.mountainplumbing.com 888-222-9140 fax 972-456-2719

form AG1800 spec sht