



C081 SS

RECTANGULAR BAR SINK WITH DECORATIVE GRATE

DETAILS

Installation Type: Drop-In or Undermount

Satin Stainless Steel Finish

Uses 1.5" Drain

AVAILABLE GRATES AND FINISHES (Sold Separately):

PS/SS	Polished Stainless/Satin Stainless Steel
UB	Satin Unlacquered Brass
PB	Polished Unlacquered Brass

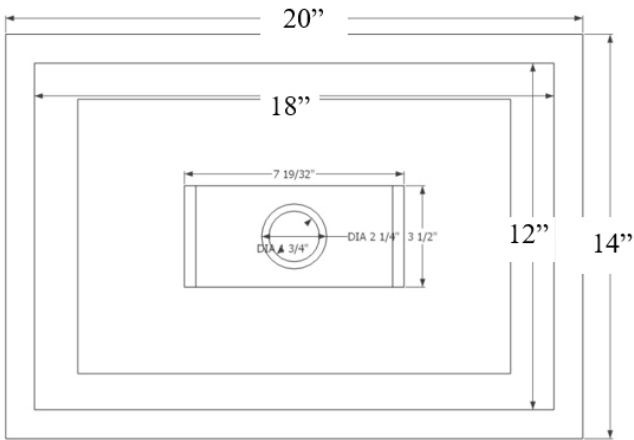


Image	Model	Description	Available Finishes
	GM001	Filigree Grate	PS, SS, PB, UB
	GM003	Spoke Grate	PS, SS, PB, UB
	GM004	Hawaiian Quilt Grate	PS, SS, PB, UB
	GM007	Square Bars Grate	PS, SS, PB, UB
	GM008	Deco Grate	PS, SS, PB, UB

AVAILABLE DRAINS

D004 | Grid Strainer

INSTALLATION

Drain should be installed first.

DROP-IN: Cut opening large enough for the sink to be "dropped in" to countertop.

UNDERMOUNT: Cuts in countertop are up to the discretion of the installer. Clips or other installation method must be provided by the fabricator/installer.

Use 100% silicone to adhere sink to countertop. Clean any excess silicone from sink surface.

CARE

Clean with mild soap. No abrasive chemicals

WARRANTY

Linkasink warranties our product to be free from manufacturing defect for the life of the product. Warranty does not cover abuse.



DIMENSIONS WILL VARY

DO NOT use this sheet as a guide for countertop cuts. Due to the handmade nature of each product, templates are not provided.