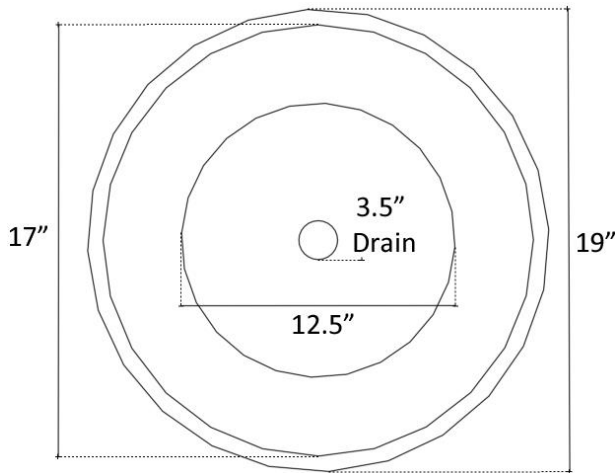




Shown in DB



All Dimensions Are Approximate

DIMENSIONS WILL VARY

DO NOT use this sheet as a guide for countertop cuts. Due to the handmade nature of each product, templates are not provided.

C019

LARGE ROUND FLAT BOTTOM (3.5" DRAIN OPENING)

DETAILS

Installation Type: Drop-In or Undermount

Hand-Hammered Metal

Uses Standard 3.5" Drain; No Overflow

Each sink is hand-crafted; no two sinks will be the same

NOTE: Due to the handmade nature of the sink, dimensions are approximate and can vary.

AVAILABLE FINISHES

BASE MATERIAL

DB	Dark Bronze	Copper
WC	Weathered Copper	Copper
SN	Satin Nickel (plated finish)	Copper
PN	Polished Nickel (plated finish)	Copper
SS	Satin Stainless Steel	Stainless Steel
PS	Polished Stainless Steel	Stainless Steel
UB	Satin Unlacquered Brass	Brass
PB	Polished Unlacquered Brass	Brass

AVAILABLE DRAINS

D003	3.5" Basket Strainer
D007	3.5" Disposal Flange
D051-D057	3.5" Decorative Basket Strainers
D071-D077	3.5" Decorative Disposal Flange w/ Strainer/Stopper

INSTALLATION

DROP-IN: Cut opening large enough for the sink to be "dropped in" to countertop.

UNDERMOUNT: Use the actual sink for templating. Cuts in countertop are up to the discretion of the installer. Clips or other installation method must be provided by the fabricator/installer. Use 100% silicone adhesive to adhere sink to countertop. Clean any excess silicone from sink surface to avoid damaging the finish.

CARE

This sink has a living finish (excluding SS/PS) which will change with time and use. Use mild soap and water for everyday cleaning. Avoid any harsh abrasives, acidic cleaning products and antibacterial hand soap. A paste wax may be applied periodically to protect the finish and help with water spotting.

WARRANTY

Linkasink warranties our product to be free from manufacturing defect for the life of the product. Warranty does not cover improper care, neglect or abuse.