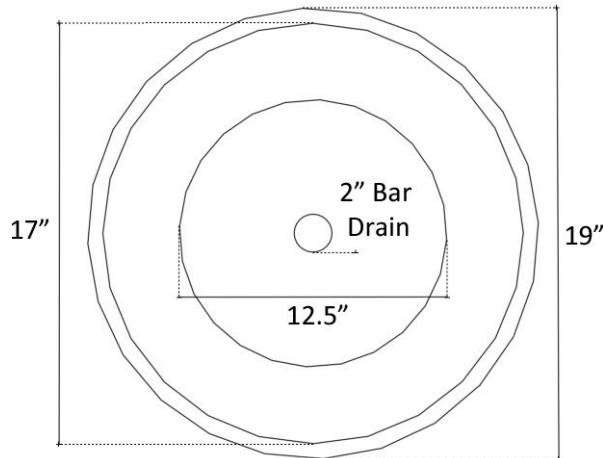




Shown in Polished Stainless (PS)



All Dimensions Are Approximate

C018

LARGE ROUND FLAT BOTTOM STAINLESS STEEL

DETAILS

Material: Stainless Steel

Hand-hammered Metal. Each sink is handmade.

Installation Type: Drop-In or Undermount

OD: 19" Diameter x 8"

ID: 17" Diameter (top), 12.5" D (bottom)

NOTE: Due to the handmade nature of the sink, dimensions are approximate and can vary.

Standard 2" Drain Opening*, No Overflow

*Custom size 1.5" drain opening available (order as "C018-1.5")

AVAILABLE FINISHES

SS	Satin Stainless Steel
PS	Polished Stainless Steel

AVAILABLE DRAINS (Standard 2" Option)

D001	2" Bar Drain
------	--------------

AVAILABLE DRAINS (Custom 1.5" Option – C018-1.5)

D004	Grid Strainer
D005	Lift and Turn
D006	Pop-up w/ lift rod
D011-D017	Decorative Grid Strainers
D101-D720	Decorative Drains

INSTALLATION

Drain should be installed first.

DROP-IN: Cut opening large enough for the sink to be "dropped in" to countertop.

UNDERMOUNT: Cuts in countertop are up to the discretion of the installer. Clips or other installation method must be provided by the fabricator/installer.

Use 100% silicone adhesive to adhere sink to countertop. Clean any excess silicone from sink surface.

CARE

Use mild soap and water for everyday cleaning. Avoid any harsh abrasives or acidic cleaning. A clear paste wax may be applied periodically to protect the finish and help with water spotting.

WARRANTY

Linkasink warranties our product to be free from manufacturing defect for the life of the product. Warranty does not cover abuse/neglect or improper care.

DIMENSIONS WILL VARY

DO NOT use this sheet as a guide for countertop cuts. Due to the handmade nature of each product, templates are not provided.