



## C018

LARGE ROUND FLAT BOTTOM

### DETAILS

Installation Type: Drop-In or Undermount

Hand-Hammered Metal

Nickel finishes are plated

OD: 19" Diameter x 8" Depth

ID: 17" Diameter

Uses Standard 2" Drain, No Overflow

Each sink is hand-crafted; no two sinks will be the same.  
Dimensions are approximate and can vary.

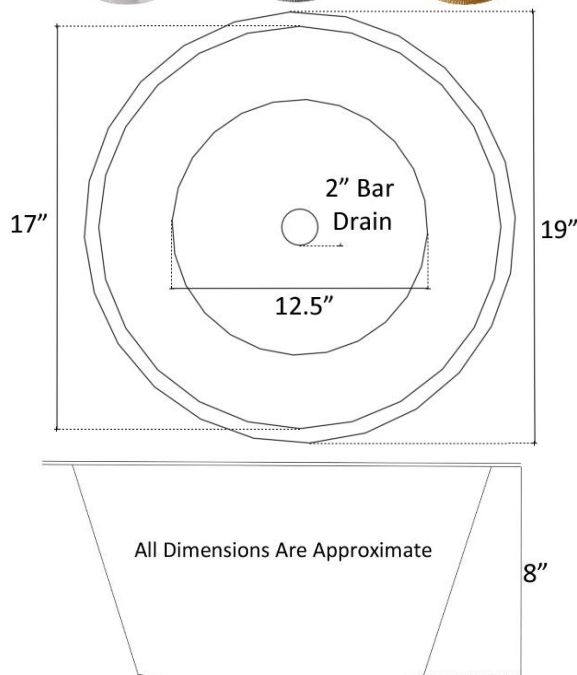
### AVAILABLE FINISHES

<b>DB</b>	Dark Bronze
<b>WC</b>	Weathered Copper
<b>PN</b>	Polished Nickel
<b>SN</b>	Satin Nickel
<b>PS</b>	Polished Stainless Steel
<b>SS</b>	Satin Stainless Steel
<b>PB</b>	Polished Unlacquered Brass
<b>UB</b>	Satin Unlacquered Brass

### BASE MATERIAL

Copper
Copper
Copper
Copper
Stainless Steel
Stainless Steel
Brass
Brass

Shown in SS



### AVAILABLE DRAINS

<b>D001</b>	2" Bar Drain
-------------	--------------

### INSTALLATION

Drain should be installed first.

**DROP-IN:** Cut opening large enough for the sink to be "dropped in" to countertop.

**UNDERMOUNT:** Cuts in countertop are up to the discretion of the installer. Clips or other installation method must be provided by the fabricator/installer.

Use 100% silicone adhesive to adhere sink to countertop. Clean any excess silicone from sink surface.

### CARE

This sink has a living finish (excluding SS/PS) which will change with time and use. Use mild soap and water for everyday cleaning. Avoid any harsh abrasives, acidic cleaning products and antibacterial hand soap. A paste wax may be applied periodically to protect the finish and help with water spotting.

### WARRANTY

Linkasink warranties our product to be free from manufacturing defect for the life of the product. Warranty does not cover abuse, neglect or improper care.

### DIMENSIONS WILL VARY

**DO NOT** use this sheet as a guide for countertop cuts. Due to the handmade nature of each product, templates are not provided.