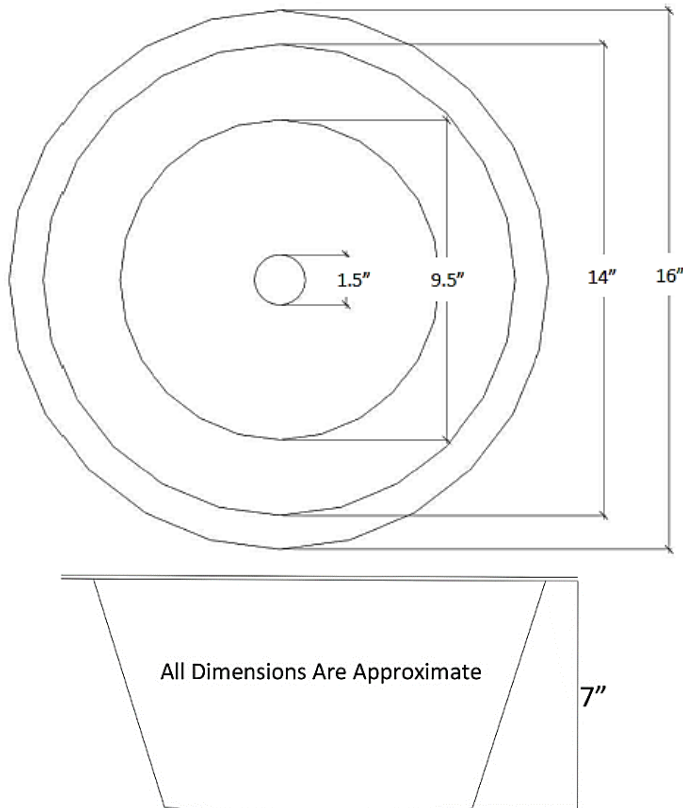




Shown in SN



C016A

SMALL FLAT ROUND

DETAILS

Installation Type: Drop-In or Undermount

Hand-Hammered Metal

No Overflow

Uses Standard 1.5" Drain

Each sink is hand-crafted; no two sinks will be the same

AVAILABLE FINISHES

DB	Dark Bronze
WC	Weathered Copper
SN	Satin Nickel
PN	Polished Nickel
SS	Satin Stainless Steel
PS	Polished Stainless Steel
UB	Satin Unlacquered Brass
PB	Polished Unlacquered Brass

BASE MATERIAL

Copper
Copper
Copper
Copper
Stainless Steel
Stainless Steel
Brass
Brass

AVAILABLE DRAINS

D004	1.5" Grid Strainer
D005	1.5" Lift & Turn
D006	1.5" Pop-up with Horizontal Pull Rod
D011 – D017	Decorative Grid Strainers
D101 – D720	Decorative Drains

INSTALLATION

DROP-IN: Cut opening large enough for the sink to be "dropped in" to countertop.

UNDERMOUNT: Cuts in countertop are up to the discretion of the installer. Clips or other installation method must be provided by the fabricator/installer.

Use 100% silicone to adhere sink to countertop. Clean any excess silicone from sink surface to avoid damaging the finish.

CARE

This sink has a living finish (excluding SS/PS) which will change with time and use. Nickel finishes are plated. Use mild soap and water for everyday cleaning. Avoid any harsh abrasives, acidic cleaning products and antibacterial hand soap. A paste wax may be applied periodically to protect the finish and help with water spotting.

WARRANTY

Linkasink warranties our product to be free from manufacturing defect for the life of the product. Warranty does not cover abuse/neglect or improper care.

DIMENSIONS WILL VARY

DO NOT use this sheet as a guide for countertop cuts. Due to the handmade nature of each product, templates are not provided.