



Shown in UB



## C005-2

SMALL SQUARE (2" Drain Opening)

### DETAILS

Installation Type: Drop-In or Undermount

Hand Hammered Metal

Uses Standard 2" Bar Drain; No Overflow

Each sink is hand-crafted; no two sinks will be the same

NOTE: Due to the handmade nature of the sink, dimensions are approximate and can vary.

### AVAILABLE FINISHES

### BASE MATERIAL

<b>DB</b>	Dark Bronze	Copper
<b>WC</b>	Weathered Copper	Copper
<b>SN</b>	Satin Nickel	Copper
<b>PN</b>	Polished Nickel	Copper
<b>UB</b>	Satin Unlacquered Brass	Brass
<b>PB</b>	Polished Unlacquered Brass	Brass
<b>SS</b>	Satin Stainless Steel	Stainless Steel
<b>PS</b>	Polished Stainless Steel	Stainless Steel

### AVAILABLE DRAINS

**D001** | 2" Bar Drain

### INSTALLATION

**DROP-IN:** Cut opening large enough for the sink to be "dropped in" to countertop.

**UNDERMOUNT:** Cuts in countertop are up to the discretion of the installer. Clips or other installation method must be provided by the fabricator/installer.

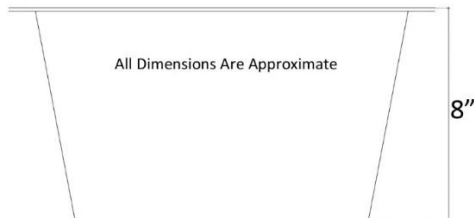
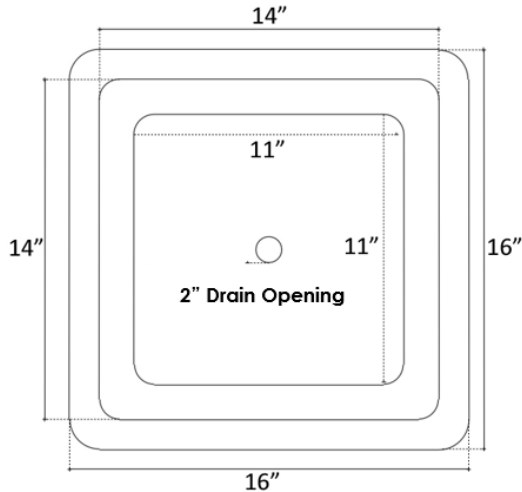
Use 100% silicone to adhere sink to countertop. Clean any excess silicone from sink surface to avoid damaging the finish.

### CARE

This sink has a living finish (excluding SS/PS) which will change with time and use. Use mild soap and water for everyday cleaning. Avoid any harsh abrasives, acidic cleaning products and antibacterial hand soap. A paste wax may be applied periodically to protect the finish and help with water spotting.

### WARRANTY

Linkasink warranties our product to be free from manufacturing defect for the life of the product. Warranty does not cover improper care, neglect or abuse.



### DIMENSIONS WILL VARY

**DO NOT** use this sheet as a guide for countertop cuts. Due to the handmade nature of each product, templates are not provided.