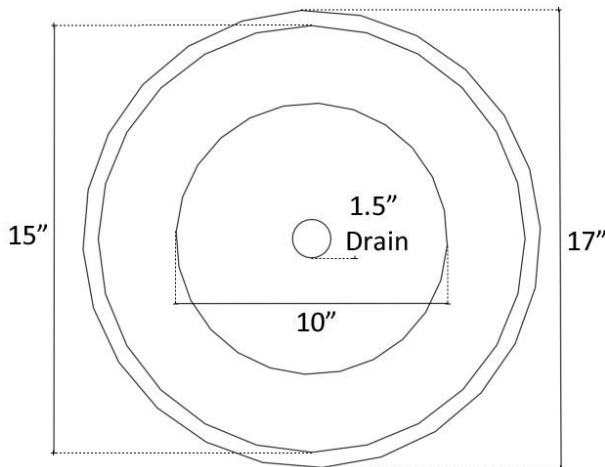


BR008

ROUND FLAT BOTTOM FLUTED SINK



SHOWN IN AB



All Dimensions Are Approximate

DETAILS

Materials: Cast Bronze Metal

Installation Type: Drop-In or Undermount

OD: 17" x 7", ID: 15"

Drain Size: Standard 1.5" lavatory drain, No overflow

Dimensions are approximate.

Each sink is hand-crafted; no two sinks will be the same. All cast bronze sinks are expected to have variation in the finish and texture due to the hand-crafted process and the nature of living finishes.

AVAILABLE FINISHES

	AB	Antique Bronze
	UB	Satin Unlacquered Brass
	WB	Satin White Bronze
	P	Polished White Bronze

AVAILABLE DRAINS

D004	Grid Strainer
D005	Lift and Turn
D006	Pop-up w/ lift rod
D011 - D017	Decorative Grid Strainers
D101 - D720	Decorative Drains

INSTALLATION

Drain should be installed first.

DROP-IN: Cut opening large enough for the sink to be "dropped in" to countertop.

UNDERMOUNT: Cuts in countertop are up to the discretion of the installer. Clips or other installation method must be provided by the fabricator/installer.

Use silicone adhesive to adhere sink to countertop. Clean any excess silicone from sink surface to avoid damaging the finish.

CARE

This sink has a living finish, which will change with time and use. Use mild soap and water for everyday cleaning. Avoid any harsh abrasives, acidic cleaning products and antibacterial hand soap. A paste wax may be applied periodically to protect the finish and help with water spotting.

WARRANTY

Linkasink warranties our product to be free from manufacturing defect for the life of the product. Warranty does not cover improper care, neglect, abuse, normal wear-and-tear, or changes to the living finish.

DIMENSIONS WILL VARY

DO NOT use this sheet as a guide for countertop cuts. Due to the handmade nature of each product, templates are not provided.