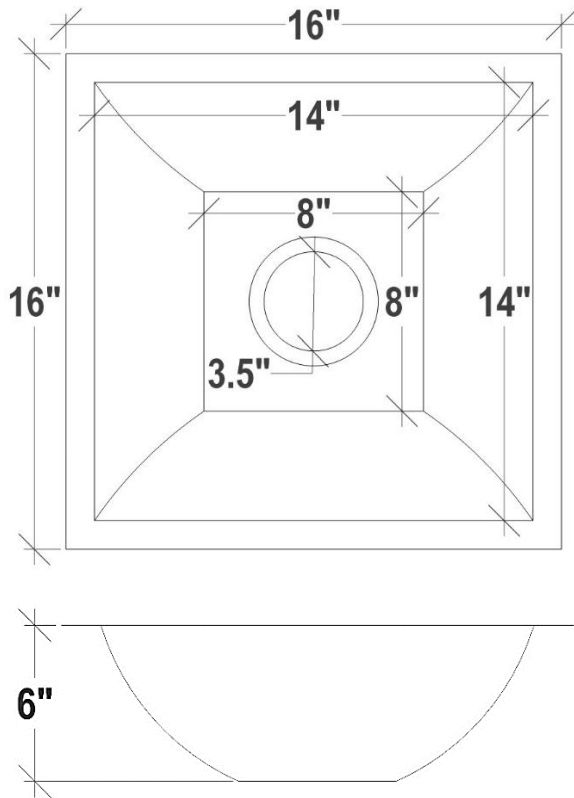


Shown in UB finish



## BLD112-3.5

Coco Smooth Builders Series – 3.5" Drain

### DETAILS

Installation Type: Drop-In or Undermount

Hand-crafted smooth Metal

OD: 16" x 16" x 6.5"

ID: 14" x 14"

Drain Size: Uses Standard 3.5" Drain, No Overflow

Each sink is hand-crafted; no two sinks will be the same

NOTE: Due to the handmade nature of the sink, dimensions are approximate and can vary.

### AVAILABLE FINISHES

### BASE MATERIAL

<b>SS</b>	Satin Stainless Steel	Stainless Steel
<b>PS</b>	Polished Stainless Steel	Stainless Steel
<b>UB</b>	Satin Unlacquered Brass	Brass
<b>PB</b>	Polished Unlacquered Brass	Brass

### AVAILABLE DRAINS

<b>D003</b>	3.5" Basket Strainer
<b>D007</b>	3.5" Disposal Flange
<b>D051-D057</b>	3.5" Decorative Basket Strainers
<b>D071-D077</b>	3.5" Decorative Disposal Flange w/Strainer/Stopper

### INSTALLATION

**DROP-IN:** Cut opening large enough for the sink to be "dropped in" to countertop.

**UNDERMOUNT:** Use the actual sink for templating. Cuts in countertop are up to the discretion of the installer. Clips or other installation method must be provided by the fabricator/installer. Use silicone adhesive to adhere sink to countertop. Clean any excess silicone from sink surface to avoid damaging the finish.

### CARE

This sink has a living finish (excluding SS/PS) which will change with time and use. Use mild soap and water for everyday cleaning. Avoid any harsh abrasives, acidic cleaning products and antibacterial hand soap. A paste wax may be applied periodically to protect the finish and help with water spotting.

### WARRANTY

Linkasink warranties our product to be free from manufacturing defect for the life of the product. Warranty does not cover improper care, neglect, abuse, or normal wear-and-tear.

### DIMENSIONS WILL VARY

**DO NOT** use this sheet as a guide for countertop cuts. Due to the handmade nature of each product, templates are not provided.