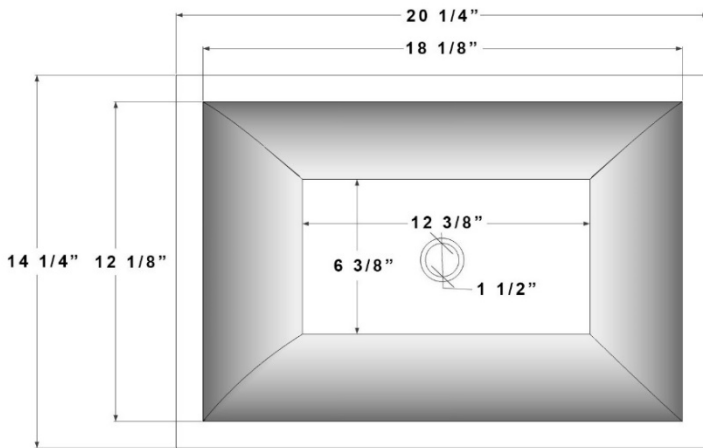
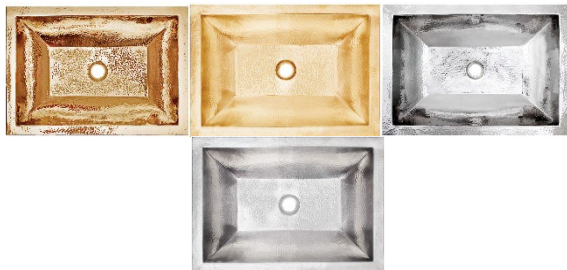


BLD106 SS Shown



## BLD107

Coco Hammered Builders Series – 1.5" Drain Opening

### DETAILS

Installation Type: Drop-In or Undermount

Hand-crafted smooth stainless steel

OD: 20.25" x 14.25" x 4.5"

ID: 18 1/8" x 12 1/8"

Uses Standard 1.5" Lavatory Drain, No Overflow

Each sink is hand-crafted; no two sinks will be the same

NOTE: Due to the handmade nature of the sink, dimensions are approximate and can vary.

### AVAILABLE FINISHES

SS	Satin Stainless Steel
PS	Polished Stainless Steel
UB	Unlacquered Brass - Satin
PB	Unlacquered Brass - Polished

### AVAILABLE DRAINS

D004	1.5" Grid Strainer
D005	1.5" Lift & Turn
D006	1.5" Pop-Up with Horizontal Lift-Rod
D011 – D017	1.5" Decorative Grid Strainers
D101 – D720	1.5" Decorative Drains

### INSTALLATION

**DROP-IN:** Cut opening large enough for the sink to be "dropped in" to countertop.

**UNDERMOUNT:** Use the actual sink for templating. Cuts in countertop are up to the discretion of the installer. Clips or other installation method must be provided by the fabricator/installer. Use 100% silicone adhesive to adhere sink to countertop. Clean any excess silicone from sink surface to avoid damaging the finish.

### CARE

This sink has a living finish (excluding SS/PS) which will change with time and use. Use mild soap and water for everyday cleaning. Avoid any harsh abrasives, acidic cleaning products and antibacterial hand soap. A paste wax may be applied periodically to protect the finish and help with water spotting.

### WARRANTY

Linkasink warranties our product to be free from manufacturing defect for the life of the product. Warranty does not cover improper care, neglect, abuse, or normal wear-and-tear.

### DIMENSIONS WILL VARY

**DO NOT** use this sheet as a guide for countertop cuts. Due to the handmade nature of each product, templates are not provided.