



## BLD107-2

Coco Hammered Builders Series – 2" Drain

### DETAILS

Installation Type: Drop-In or Undermount

Hand-crafted smooth stainless steel

OD: 20.25" x 14.25" x 4.5"

ID: 18 1/8" x 12 1/8"

Uses Standard 2" Drain, No Overflow

Each sink is hand-crafted; no two sinks will be the same  
NOTE: Due to the handmade nature of the sink, dimensions are approximate and can vary.

### AVAILABLE FINISHES

<b>SS</b>	Satin Stainless Steel
<b>PS</b>	Polished Stainless Steel
<b>UB</b>	Unlacquered Brass - Satin
<b>PB</b>	Unlacquered Brass - Polished

### AVAILABLE DRAINS

<b>D001</b>	2" Bar Drain
<b>D011-D017</b>	2" Decorative Grid Strainer
<b>D101-D720</b>	2" Decorative Drain

### INSTALLATION

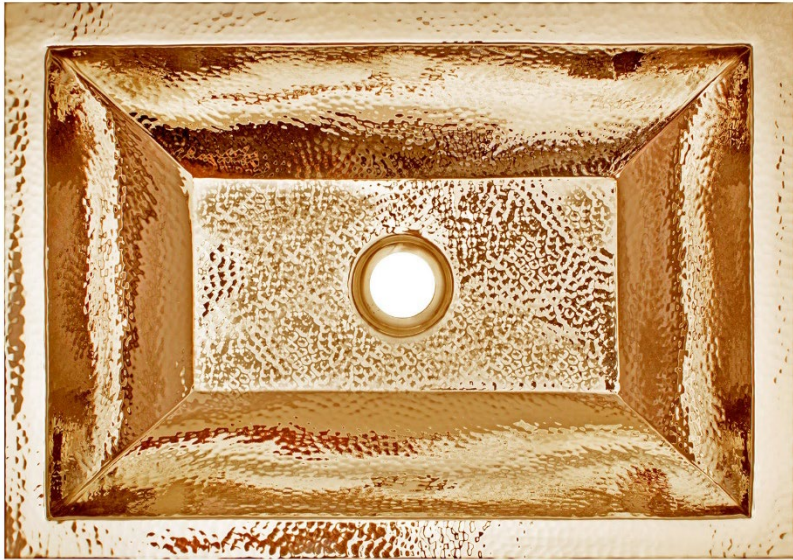
**DROP-IN:** Cut opening large enough for the sink to be "dropped in" to countertop.  
**UNDERMOUNT:** Use the actual sink for templating. Cuts in countertop are up to the discretion of the installer. Clips or other installation method must be provided by the fabricator/installer.  
 Use 100% silicone adhesive to adhere sink to countertop. Clean any excess silicone from sink surface to avoid damaging the finish.

### CARE

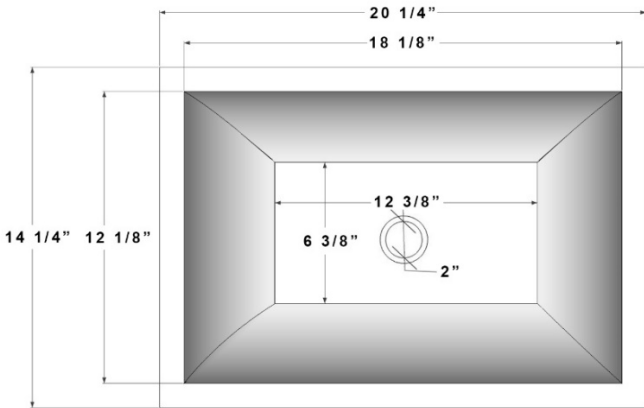
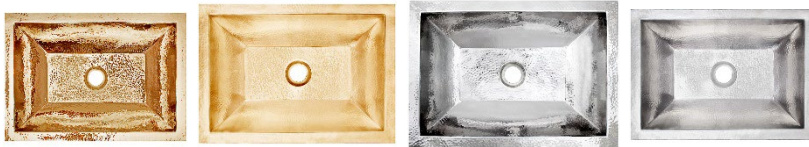
This sink has a living finish (excluding SS/PS) which will change with time and use. Use mild soap and water for everyday cleaning. Avoid any harsh abrasives, acidic cleaning products and antibacterial hand soap. A paste wax may be applied periodically to protect the finish and help with water spotting.

### WARRANTY

Linkasink warranties our product to be free from manufacturing defect for the life of the product. Warranty does not cover improper care, neglect, abuse, or normal wear-and-tear.



BLD1067-2 UB Shown



### DIMENSIONS WILL VARY

**DO NOT** use this sheet as a guide for countertop cuts. Due to the handmade nature of each product, templates are not provided.