



## B038A

SMALL TAXCO

### DETAILS

Materials: Brass (UB / PB) or  
Stainless Steel (SS / PS)  
Installation Type: Drop-in  
Uses Standard 1.5" Drain  
No Overflow

### AVAILABLE FINISHES

<b>UB</b>	Satin Unlacquered Brass
<b>PB</b>	Polished Unlacquered Brass
<b>SS</b>	Satin Stainless Steel
<b>PS</b>	Polished Stainless Steel

### AVAILABLE DRAINS

<b>D004</b>	Grid Strainer
<b>D005</b>	Lift and Turn
<b>D006</b>	Pop-up w/ lift rod
<b>D011 – D017</b>	Decorative Grid Strainers
<b>D101-D720</b>	Decorative Drains

### INSTALLATION

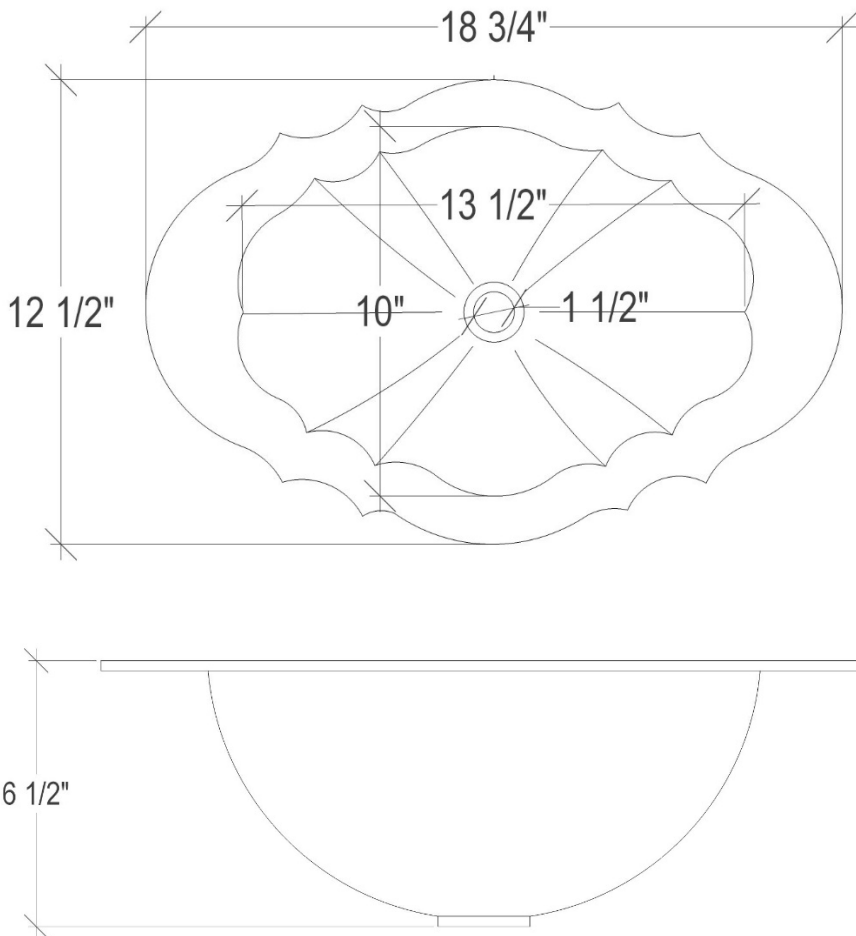
Drain should be installed first.  
Cuts in countertop are up to the discretion of the installer. Use 100% silicone to adhere sink to countertop. Clean any excess silicone from the sink surface to avoid damaging the finish.

### CARE

This sink in the brass finishes has a living finish which will change with time and use. Use mild soap and water for everyday cleaning. Avoid any harsh abrasives, acidic cleaning products and antibacterial hand soap. A clear paste wax may be applied periodically to protect the finish and help with water spotting.

### WARRANTY

Linkasink warranties our product to be free from manufacturing defect for the life of the product. Warranty does not cover improper care or abuse/neglect.



### DIMENSIONS WILL VARY

**DO NOT** use this sheet as a guide for countertop cuts. Due to the handmade nature of each product, templates are not provided.