

# B001

Bronze Bowl with Handles

## DETAILS

Installation Type: Vessel

Material: Cast Bronze (living finish)

Uses standard 1 1/2" lavatory drain; No overflow

Each sink is hand-crafted; no two sinks will be the same  
 NOTE: Due to the handmade nature of the sink, dimensions are approximate and can vary.

Living finishes will age and change over time with use

## AVAILABLE FINISHES

<b>AB</b>	Antique Bronze
<b>VB</b>	Vintage Brass
<b>UB</b>	Satin Unlacquered Brass
<b>WB</b>	Satin White Bronze (Looks similar to Brushed Nickel)
<b>P</b>	Polished White Bronze (Looks similar to Polished Nickel)

## AVAILABLE DRAINS

<b>D004</b>	Grid Strainer
<b>D005</b>	Lift and Turn
<b>D006</b>	Pop-Up with Horizontal Lift Rod
<b>D101 – D720</b>	Decorative Drains
<b>D011 – D017</b>	Decorative Grid Strainers

## INSTALLATION

Drain should be installed first. A conversion kit for drain installation is provided with each sink with 1.5" drain opening. Cut opening in countertop large enough for small foot of sink to recess into countertop. Use 100% silicone to adhere sink to countertop. Clean any excess silicone from sink surface.

## CARE

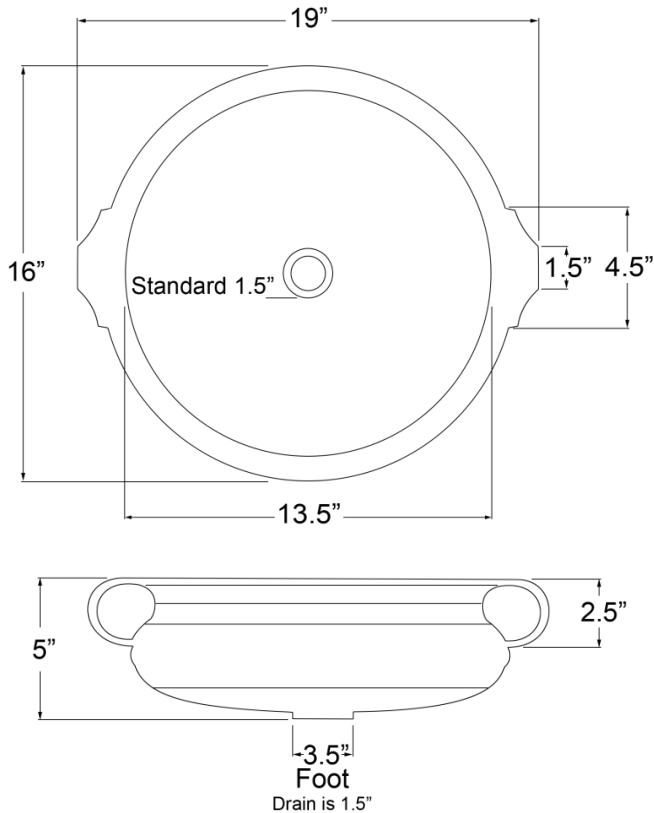
This sink has a living finish which will change with time and use. Use mild soap and water for everyday cleaning. Avoid any harsh abrasives, acidic cleaning products and antibacterial hand soap. A paste wax may be applied periodically to protect the finish and help with water spotting.

## WARRANTY

Linkasink warranties our product to be free from manufacturing defect for the life of the product. Warranty does not cover improper care, neglect or abuse.



B001 AB shown with D005 AB



### DIMENSIONS WILL VARY

**DO NOT** use this sheet as a guide for countertop cuts. Due to the handmade nature of each product, templates are not provided.