



## AG07H

Artisan Glass Large Round Vessel Banded Églomisé

### DETAILS

Installation Type: Vessel

Material: Glass

OD: 16.5" x 5.5"

Drain Size: Standard 1.5" lavatory drain, No Overflow

Dimensions are approximate.

Each Sink is hand-crafted; no two sinks will be the same. All handmade glass sinks are expected to have inherent and unique markings such as air bubbles, leaf marks, surface pinholes and maker's marks

See our "Artisan Glass Fact Sheet" for additional details.

### AVAILABLE FINISHES

<b>BRS</b>	Brass
<b>GLD</b>	Gold
<b>SLV</b>	Silver
<b>COP</b>	Copper

### AVAILABLE DRAINS

<b>D004</b>	Grid Strainer
<b>D005</b>	Lift and Turn
<b>D006</b>	Pop-Up with Horizontal Lift Rod
<b>D011 – D017</b>	Decorative Grid Strainer

**Do NOT use compression (i.e. click-clack, press-to-close/open) type drains. Hand tighten drain.**

### INSTALLATION

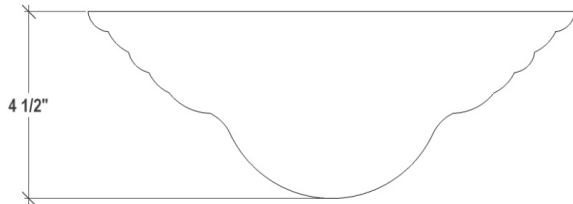
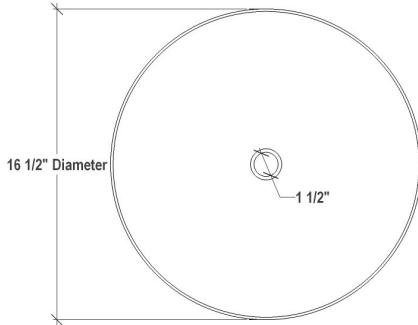
Use silicone adhesive to adhere sink to countertop. Clean any excess silicone from sink surface. Do not install sink using clips. **Hand-tighten drain** – do not overtighten. Conversion Kit for drain installation is included with each sink.

### CARE

Mild based glass cleaner may also be used. No harsh or acidic cleaning products. Soap and water for everyday cleaning. Non-ammonia.

### WARRANTY

Linkasink warranties our product to be free from manufacturing defect for the life of the product. Warranty does not cover improper care, neglect or abuse or normal wear-and-tear



### DIMENSIONS WILL VARY

**DO NOT** use this sheet as a guide for countertop cuts. Due to the handmade nature of each product, templates are not provided.

P: 602.971.2502

E: sales@linkasink.com

Linkasink may make changes to specifications without notice.

Visit [linkasink.com](http://linkasink.com) for updated specification sheet.

11/8/2022