

# AG04H

Artisan Glass Large Round Vessel Solid Églomisé

## DETAILS

Installation Type: Vessel

Material: Glass/ Metal Foil

OD: 16.5" x 5.5"

Drain Size: Standard 1.5" lavatory drain, No Overflow

Dimensions are approximate.

Each Sink is hand-crafted; no two sinks will be the same. All handmade glass sinks are expected to have inherent and unique markings such as air bubbles and leaf marks.

Undermount version also available, must add "-UM" after the item prefix "AG04H" (Example: "AG04H-UM-SLV")

See our ["Artisan Glass Fact Sheet"](#) for additional details.

## AVAILABLE FINISHES

<b>BRS</b>	Brass
<b>CG</b>	Champagne Gold
<b>FB</b>	French Bronze
<b>GLD</b>	Gold
<b>SLV</b>	Silver

## AVAILABLE DRAINS

<b>D004</b>	Grid Strainer
<b>D005</b>	Lift and Turn
<b>D006</b>	Pop-Up with Horizontal Lift Rod
<b>D011 – D017</b>	Decorative Grid Strainers

**Do NOT use compression (i.e., click-clack, press-to-close/open) type drains. Hand-tighten drain.**

## INSTALLATION

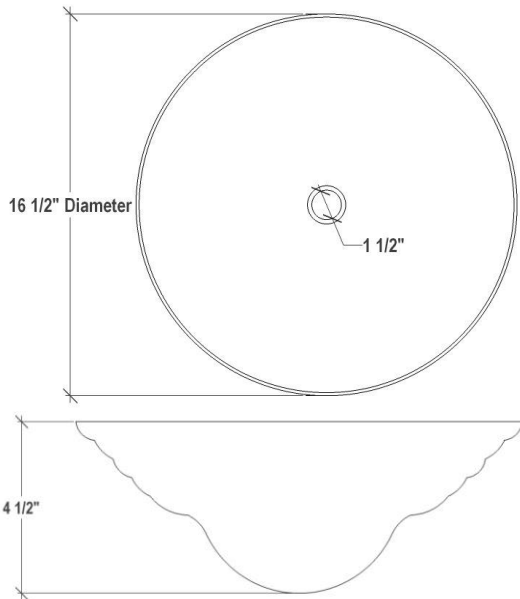
Use silicone adhesive to adhere sink to countertop. Clean any excess silicone from sink surface. May use a mounting spacer, do not use mounting clips. **Hand-tighten drain** – do not overtighten. Conversion Kit for drain installation is included with each sink.

## CARE

For the inside of the sink, use mild soap and water for everyday cleaning. Non-ammonia-based glass cleaner may also be used. Avoid abrasives and harsh/acidic cleaning products. Do not use cleaners on the exterior side of sink.

## WARRANTY

Linkasink warranties our product to be free from manufacturing defect for the life of the product. Warranty does not cover improper care, neglect or abuse or normal wear-and-tear.



### DIMENSIONS WILL VARY

**DO NOT** use this sheet as a guide for countertop cuts. Due to the handmade nature of each product, templates are not provided.