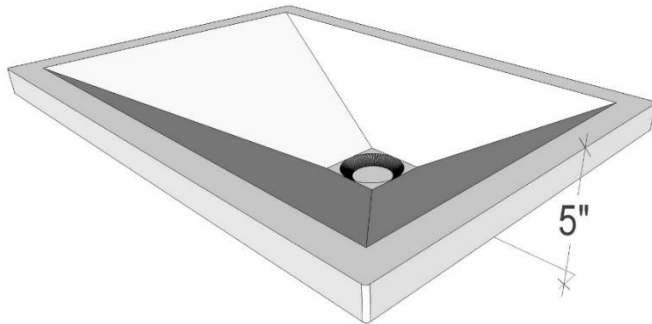
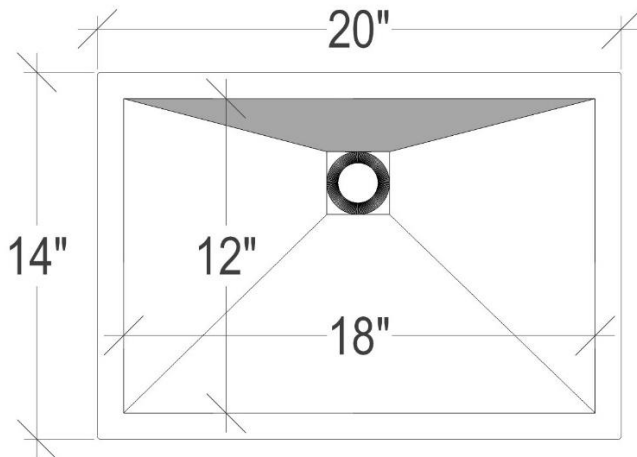
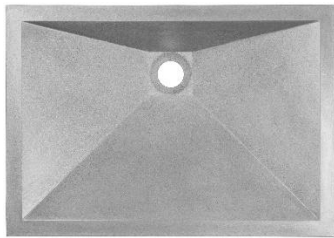




Shown in Gray



AC06UM

RIDER: Concrete Rectangle Sloped Sink - Undermount

DETAILS

Installation Type: Undermount

Material: Glass Fiber Reinforced Concrete

OD: 20" x 14" x 5"

ID: 18" x 12"

Uses standard 1.5" drain; No Overflow

Dimensions are approximate

Each sink is hand-crafted; no two sinks will be the same. All concrete sinks will have unique markings, such as air bubbles, texture and variations that are inherent characteristics of the handmade process.

See our ["Artisan Concrete Fact Sheet"](#) for additional details.

AVAILABLE FINISHES

G	Gray
BLK	Black

AVAILABLE DRAINS

D004	Grid Strainer
D005	Lift and Turn
D006	Pop-Up with Horizontal Lift Rod
D011 – D017	Decorative Grid Strainers

INSTALLATION

Drain should be installed first. A conversion kit for drain installation is provided with each sink with 1.5" drain opening. **UNDERMOUNT:** Cuts in countertop are up to the discretion of the installer. Clips or other installation method must be provided by the fabricator/installer.

Use silicone adhesive to adhere sink to countertop. Clean any excess silicone from sink surface to avoid damaging the finish.

CARE

Concrete sinks are crafted from glass fiber reinforced concrete (GFRC). Linkasink hand-etches then seals each sink with a 7-Step impregnating sealer. Use Windex® with Vinegar for cleaning as needed. The sink should not be exposed to harsh or acidic chemicals, cleaners or scrubbers.

WARRANTY

Linkasink warranties our product to be free from manufacturing defect for the life of the product. Warranty does not cover improper care, neglect, abuse or normal wear-and-tear.

DIMENSIONS WILL VARY

DO NOT use this sheet as a guide for countertop cuts. Due to the handmade nature of each product, templates are not provided.