

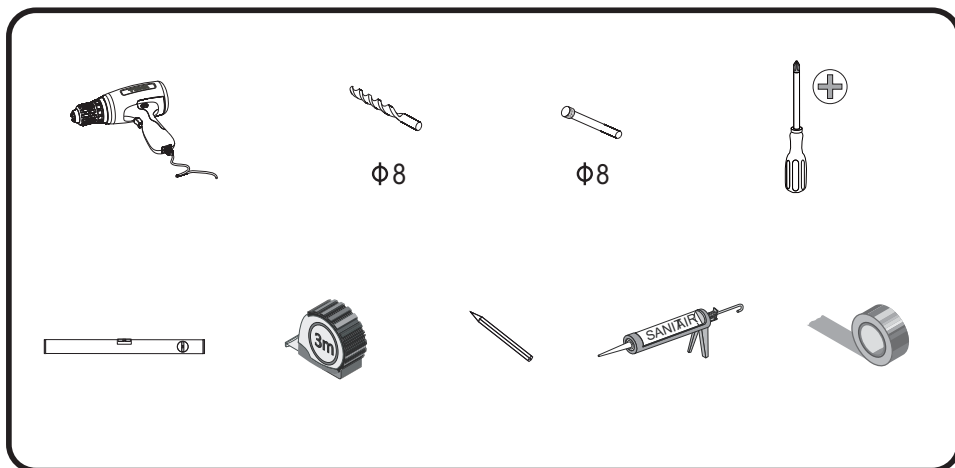
Installation Manual



for life

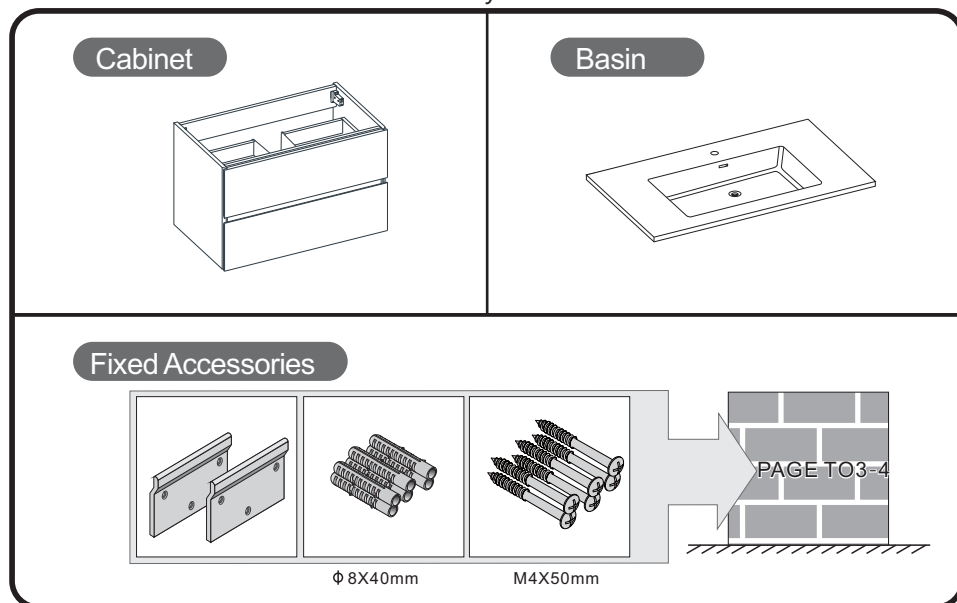
1、 Parts List	01
2、 Installation instructions	03
3、 Installation Instructions	08
4、 Installation & adjustment of drawer	09
5、 The way to take off the drawer	10

Tools List



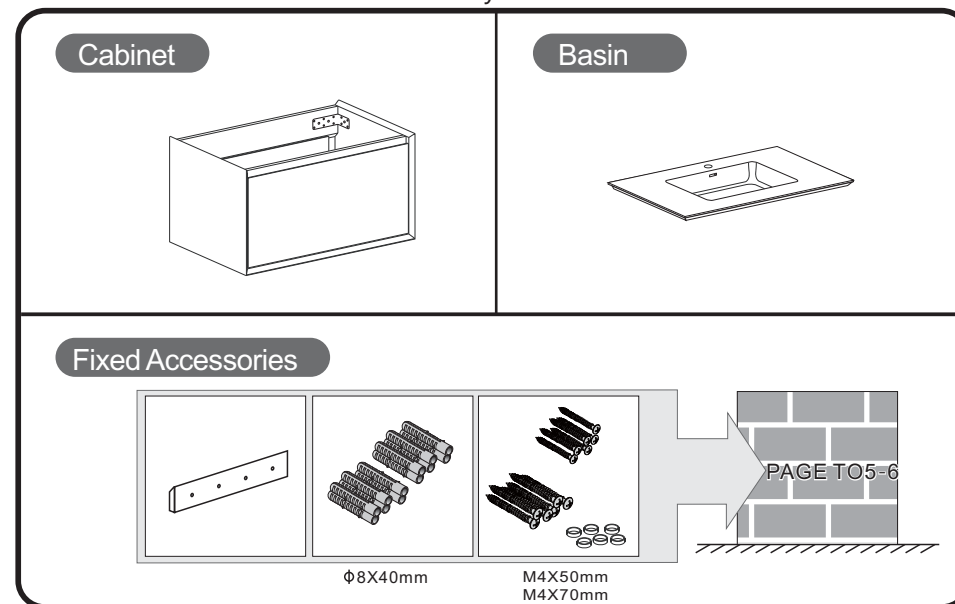
Parts List

Fixed System1

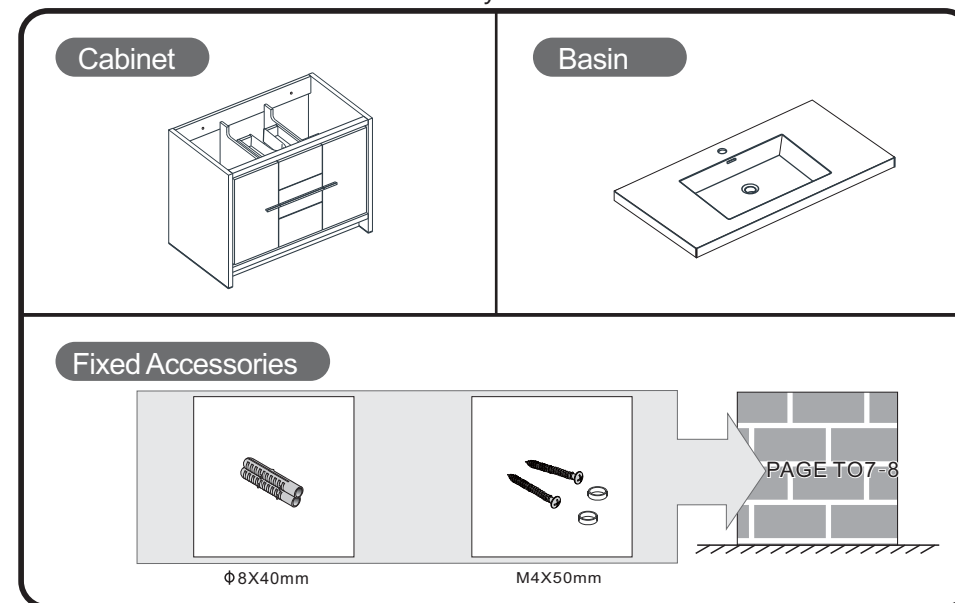


Parts List

Fixed System 2



Fixed System 3



Installation Instructions

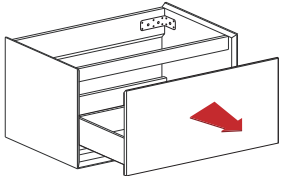
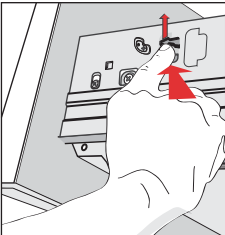
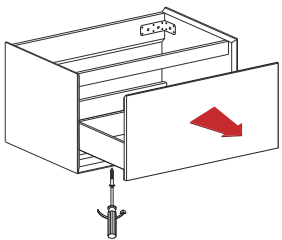
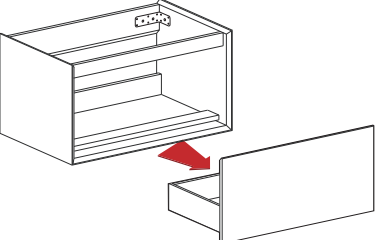
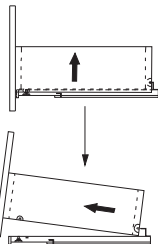
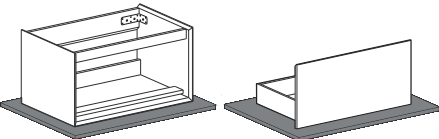
Fixed System 1

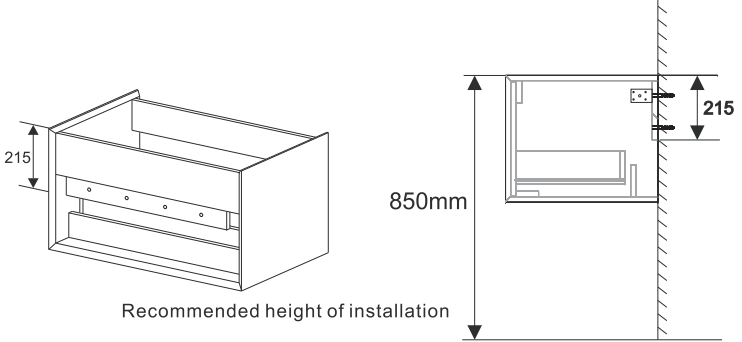
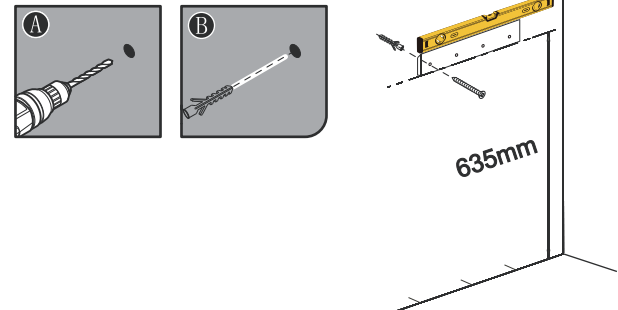
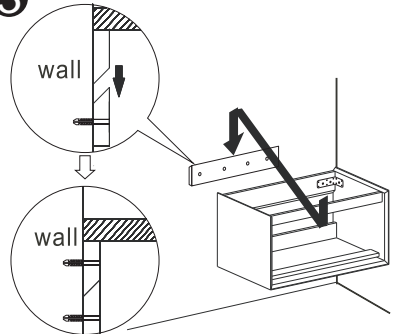
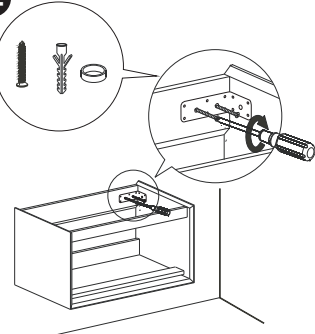
<p>1</p>	<p>2</p> <p>metal box</p>
<p>2</p> <p>wooden drawer</p>	<p>3</p> <p>metal box</p>
<p>3</p> <p>wooden drawer</p>	<p>4</p>

<p>5</p> <p>2mm 2mm 850mm</p>	
<p>6</p>	<p>7</p>
<p>8</p>	<p>9</p>

Installation Instructions

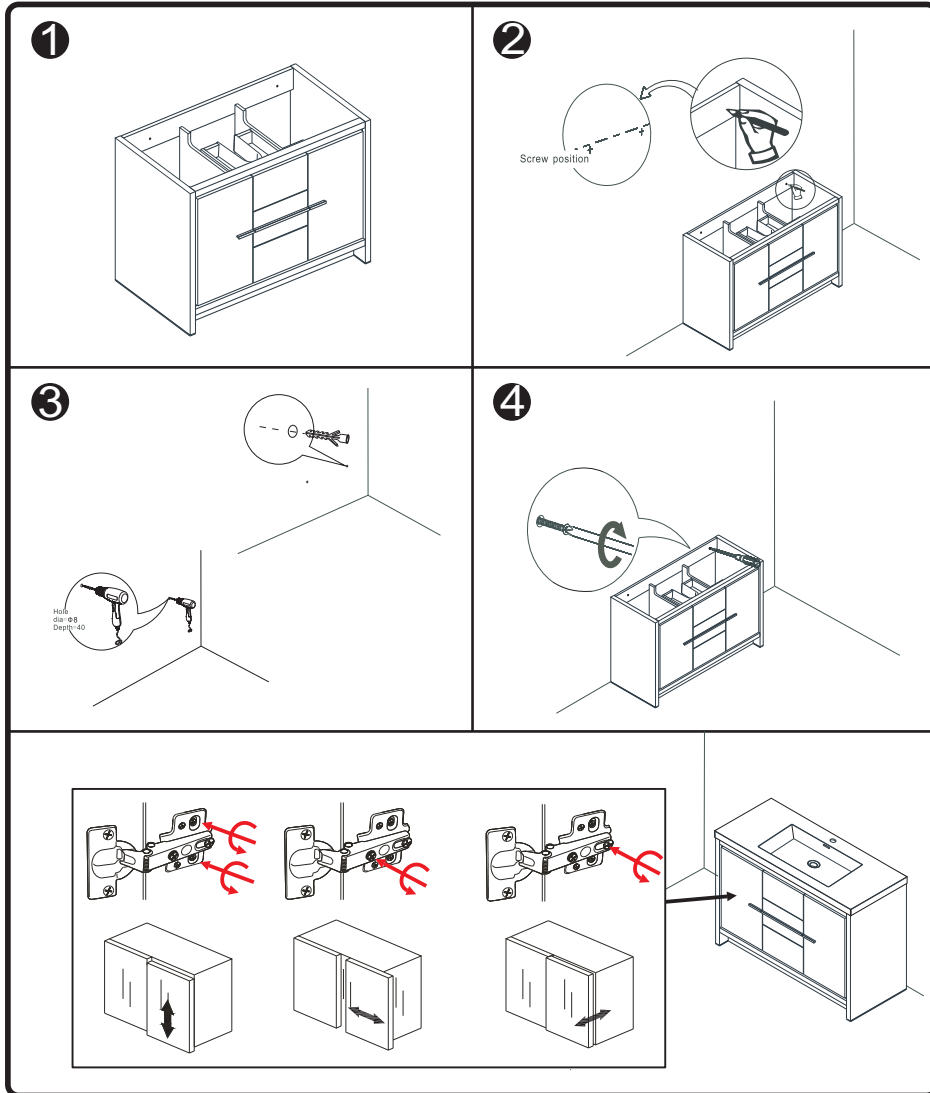
Fixed System 2

<p>1</p> 	<p>2</p>  <p>metal box</p>
<p>2</p>  <p>wooden drawer</p>	<p>3</p>  <p>metal box</p>
<p>3</p>  <p>wooden drawer</p>	<p>4</p> 

<p>1</p>  <p>215</p> <p>850mm</p> <p>Recommended height of installation</p>	
<p>2</p>  <p>A</p> <p>B</p> <p>635mm</p>	
<p>3</p>  <p>wall</p> <p>wall</p>	<p>4</p> 

Installation Instructions

Fixed System 3



Installation Instructions

