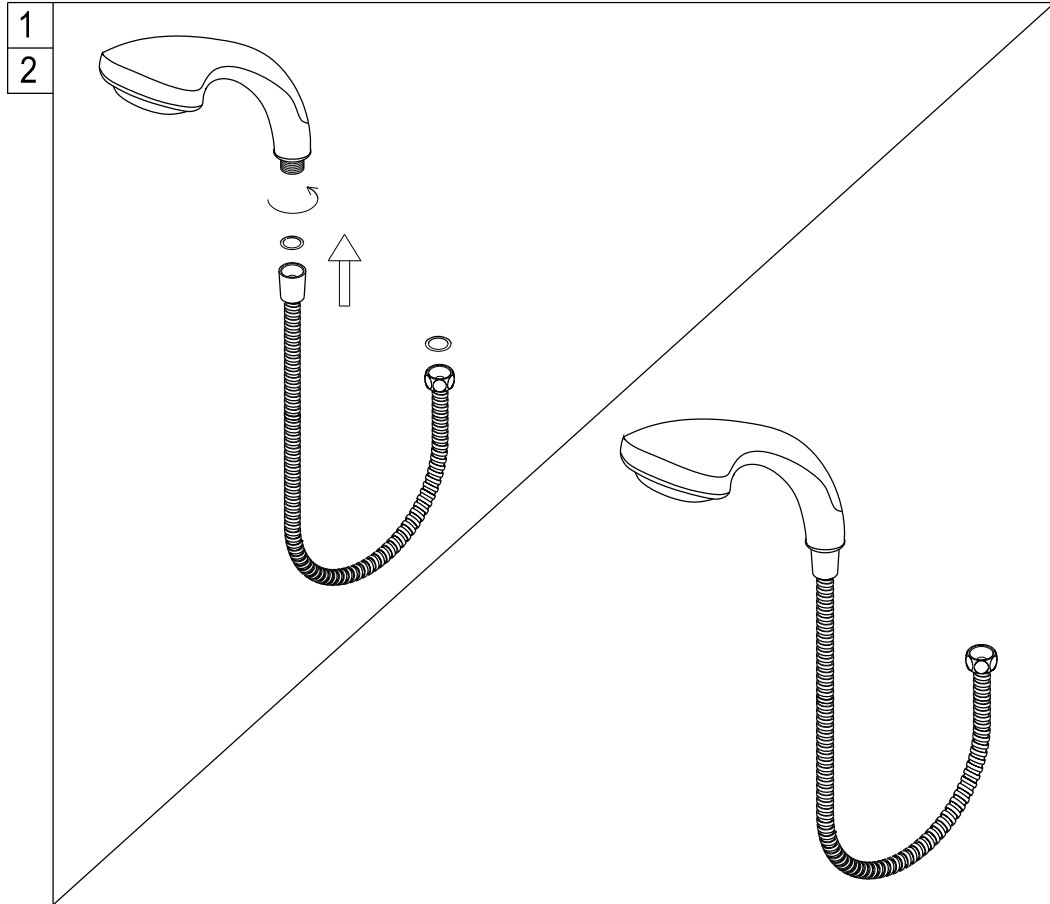
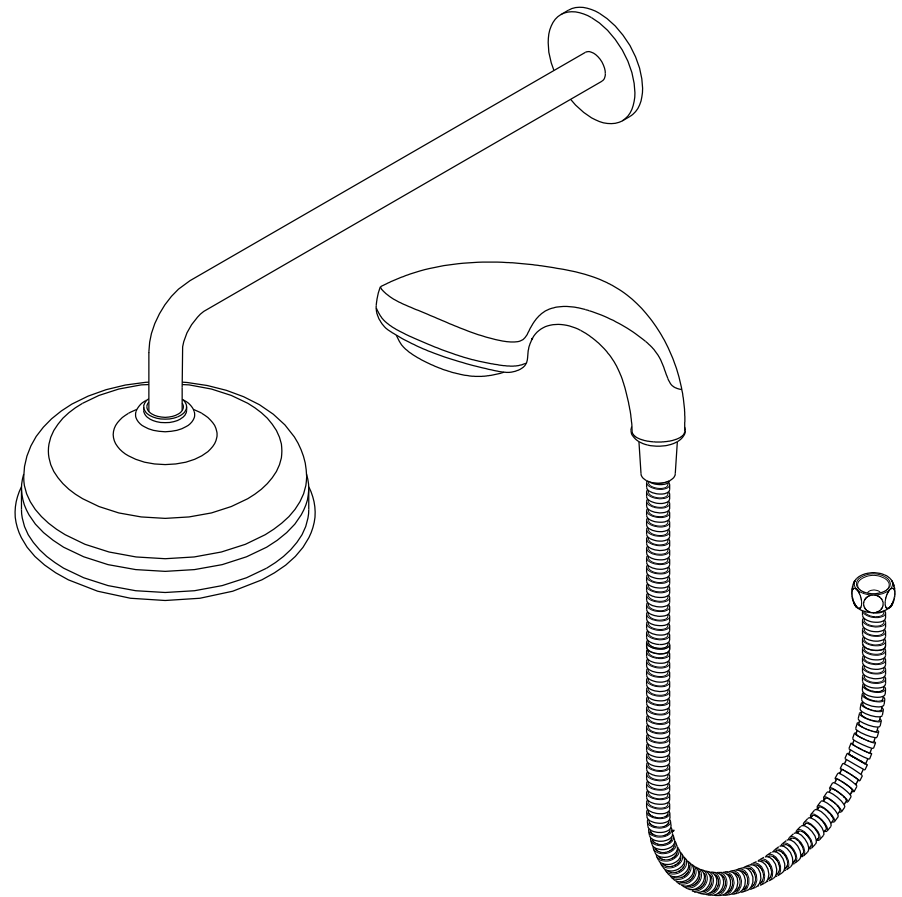


Installation manual for hand shower :



1. Put a washer to the cone shape hose nut and hand tightens the shower head clockwise.
2. Turn on the water and check for leaks, if the shower head leaks at the connection to the hose, Hand tighten the connection some more.

KINGSTON BRASS
THE TRADITION OF FINE BRASS



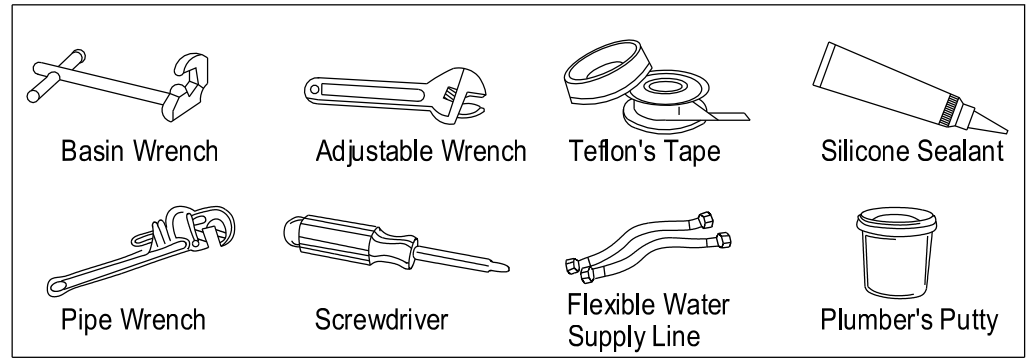
www.kingstonbrass.com
TOLL-FREE CUSTOMER SERVICE: 877-2-KBRASS
TECHNICAL SUPPORT E-mail: service@kingstonbrass.com
6240 Prescott Court, Chino, CA91710

INSTALLATION INSTRUCTIONS

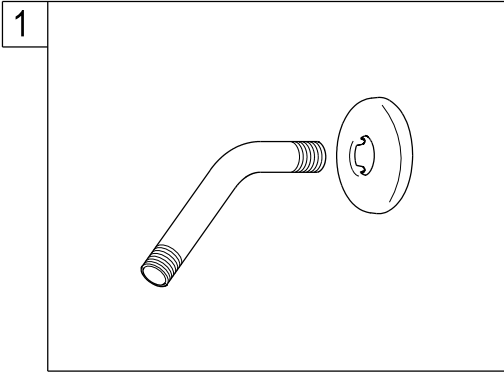
For Use With KB's Shower arm-hand shower and shower head

Before installation:

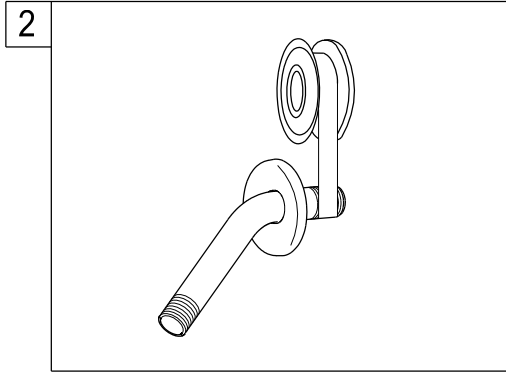
Hold the existing shower arm up and down to ensure the plumbing behind the wall is rigid to hold the weight of the new shower unit - about 3-4 lbs when filled with water.



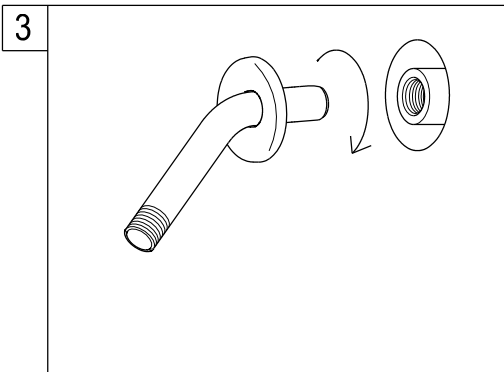
Installation manual for shower arm:



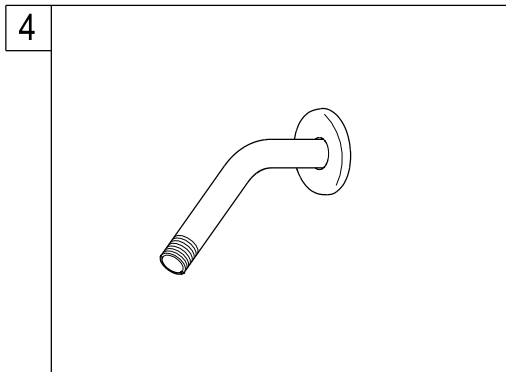
1. Place the flange into the shower rod.



2. Wrap threads on one end of shower rod male nipple with 4 to 6 wraps of Teflon

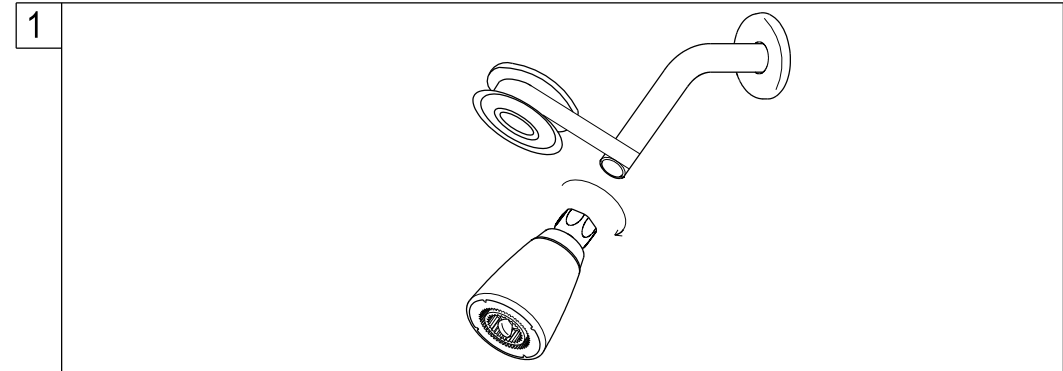


3. Thread the male nipple into female nipple (in wall), tighten with pipe wrench.

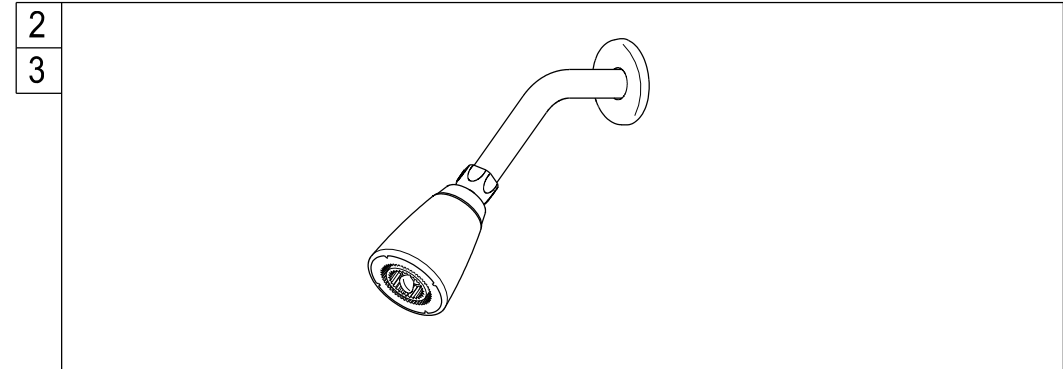


4. Turn the water on and check for leaks, any leaks will require minor tightening or adjustment.

Installation manual for shower head:



1. Wrap Teflon tape around all the threads on shower rod and hand tighten the shower head clockwise.



2. Turn the water on and check for leaks, any leaks will require minor tightening or adjustment.
3. If the shower head leaks at the connection to the thread shower arm, tighten the connection some more by using a wrench.