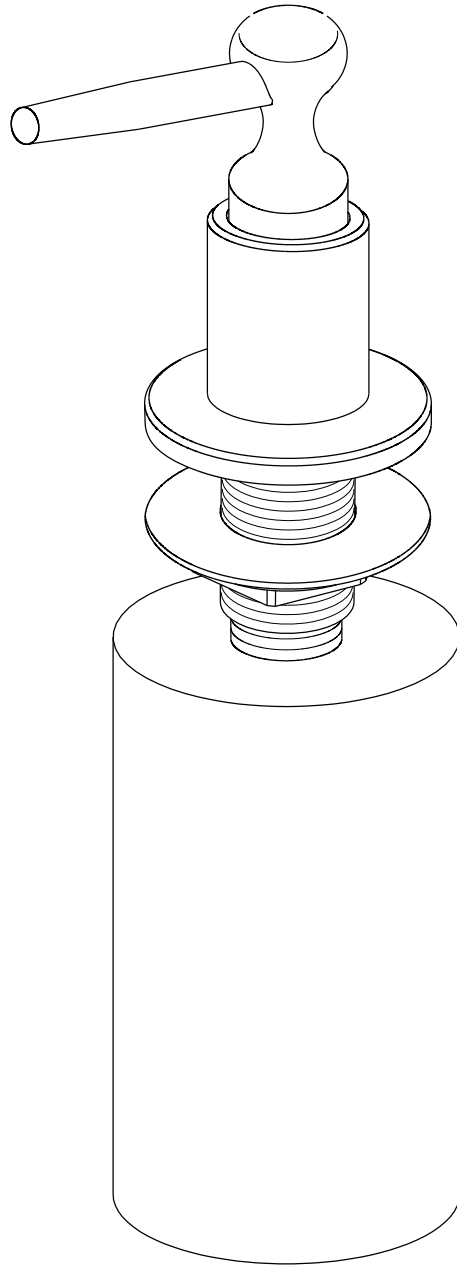


KINGSTON BRASS

THE TRADITION OF FINE BRASS



www.kingstonbrass.com

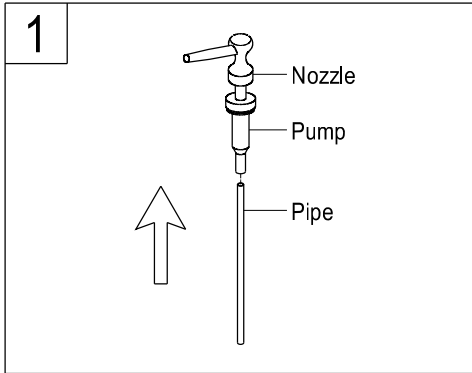
TOLL-FREE CUSTOMER SERVICE: 1-877-2-KBRASS

TECHNICAL SUPPORT E-mail: service@kingstonbrass.com

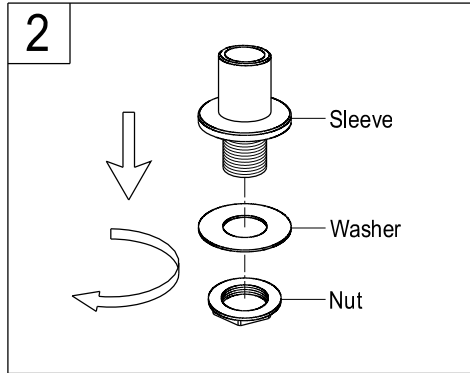
12775 Reservoir Street, Chino, CA91710

Installation Instructions
For Use With KB's Soap Dispenser

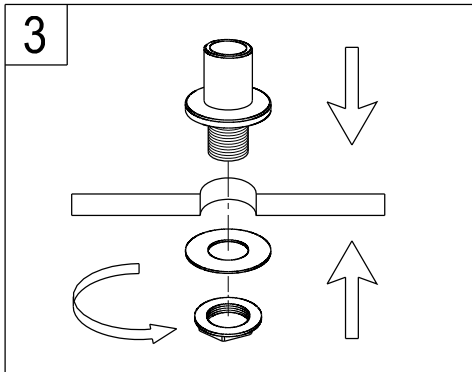
Note: This product is used to illustrate installation.
Your product may be a different style but will install in the same way.



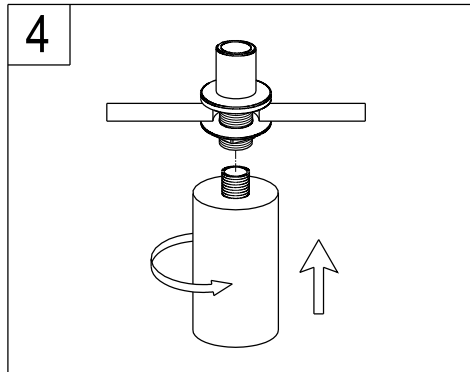
1. Install pipe into soap pump.



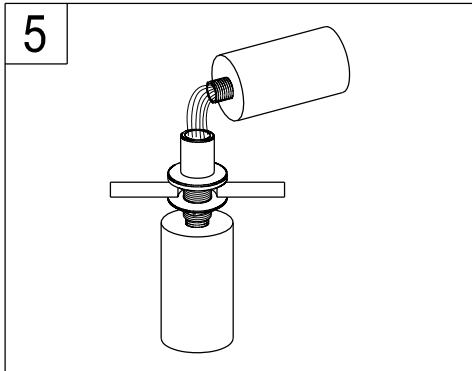
2. Remove washer and nut from soap dispenser sleeve.



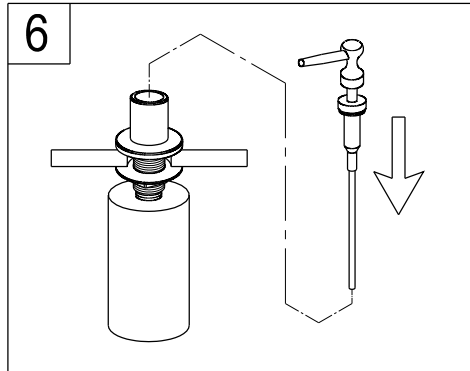
3. Insert soap dispenser sleeve through sink hole and secure with washer and nut.



4. Screw soap bottle into soap dispenser sleeve, hand tighten.



5. Pour in liquid soap (or hand lotion).



6. Put the pump nozzle and plastic pump into sleeve.

Parts:

