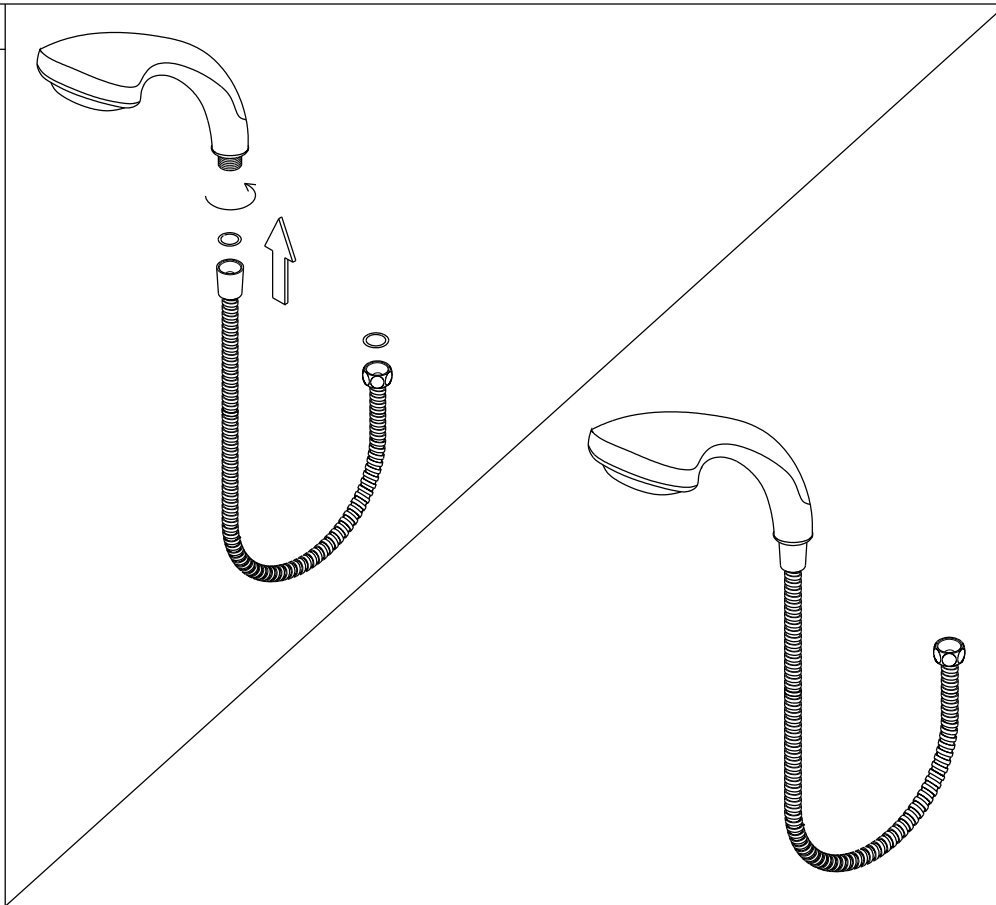


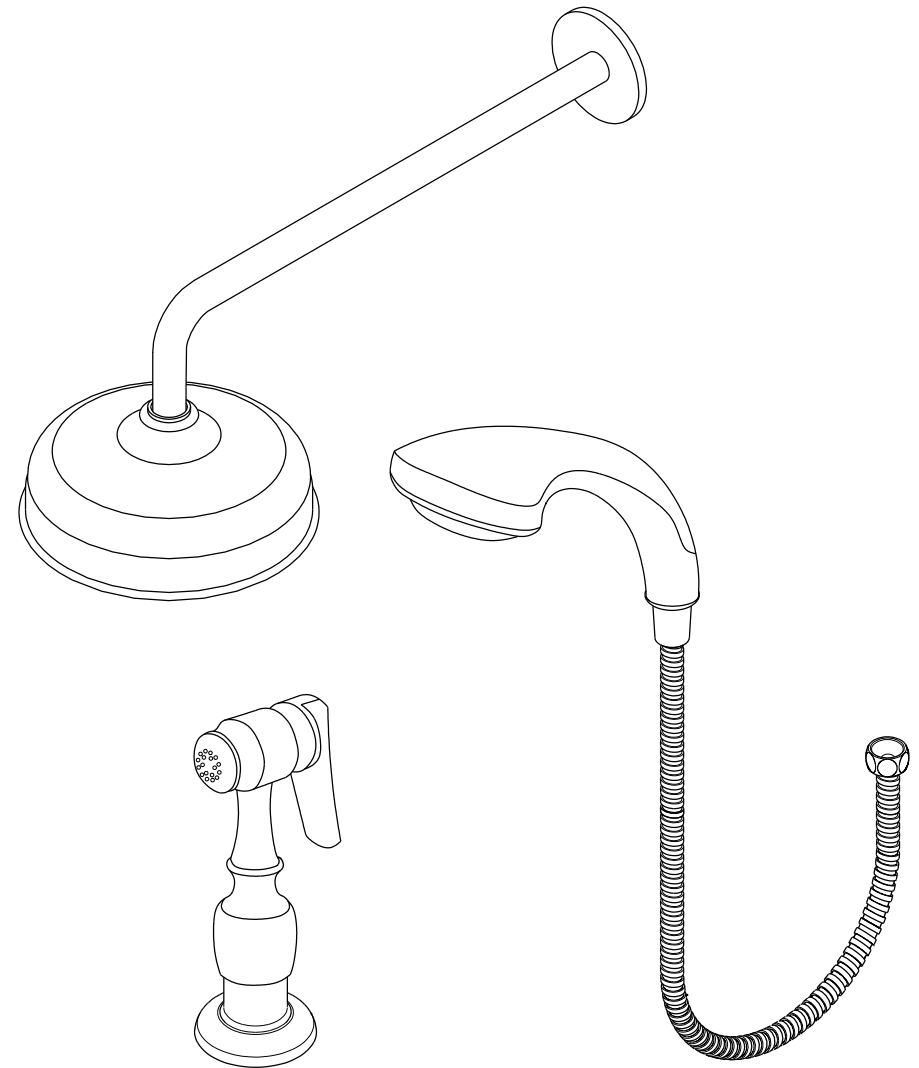
Installation manual for hand shower :

1



1. Connect tapered end of hose to hand shower seat the washer, if provided, firmly into the hose nut from the end of the hose that screws onto the hand shower. Carefully align the thread of the tapered end of the hose directly to the hand shower. Hand tighten - do not use a wrench or pliers. Then place the hand shower into the shower arm mount. Rotate the shower arm mount into desired position to hold the hand shower.

**KINGSTON BRASS**  
THE TRADITION OF FINE BRASS



[www.kingstonbrass.com](http://www.kingstonbrass.com)

TOLL-FREE CUSTOMER SERVICE: 1-877-2-KBRASS

TECHNICAL SUPPORT E-mail: [service@kingstonbrass.com](mailto:service@kingstonbrass.com)

12775 Reservoir Street, Chino, CA91710

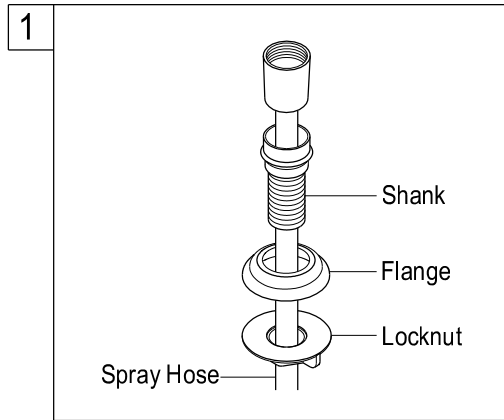
## INSTALLATION INSTRUCTIONS

For Use With KB's Hand Shower Sets, Shower Head Sets and Deck Mount Sprayer

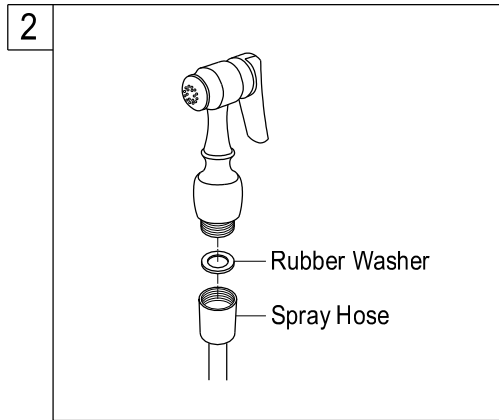
### Before installation:

Hold the existing shower arm up and down to ensure the plumbing behind the wall is rigid to hold the weight of the new shower unit - about 3-4 lbs when filled with water.

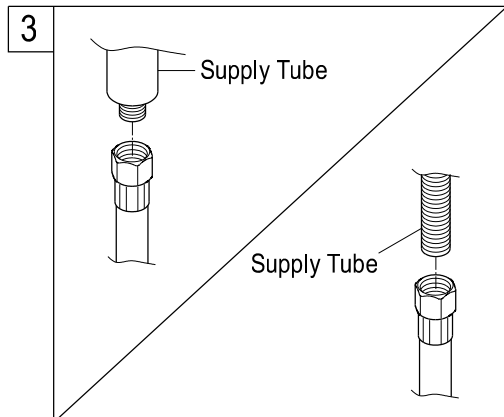
### Installation manual for deck mount head shower:



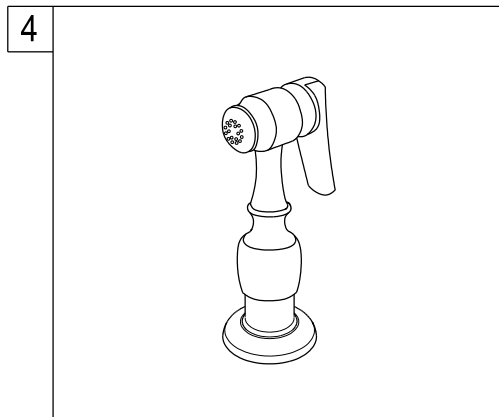
1. For model is with spray head and hose. Place the spray guide through the fourth hold in the sink, screw the locknut onto the shank and tighten firmly.



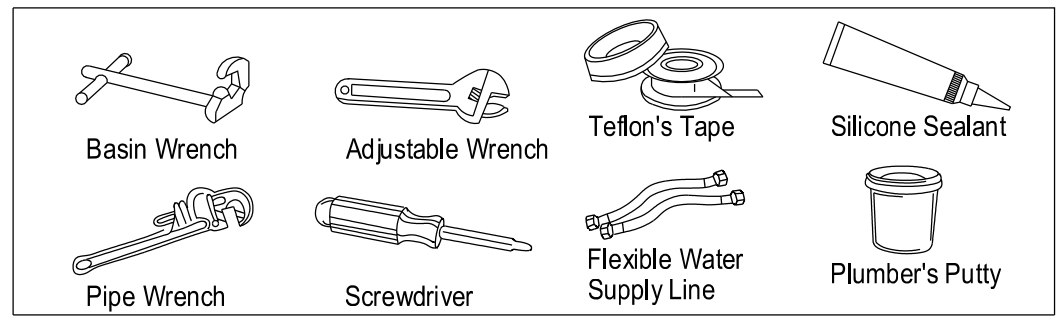
2. Place rubber washer to end of spray hose and attach sprayer.



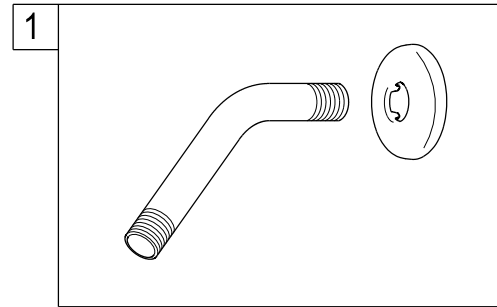
3. Connect sprayer hose to the partially threaded inlet stem on the supply tube.



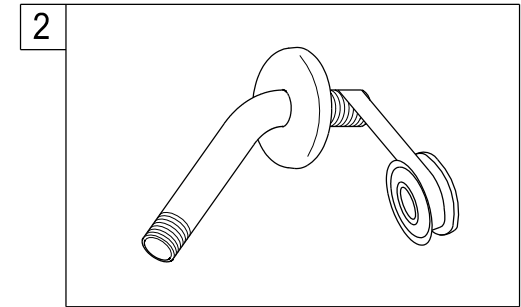
4. Set sprayer on base and sprayer is ready to use.



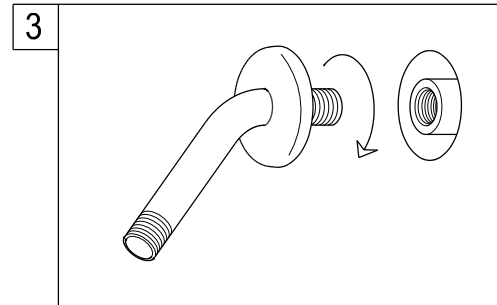
### Installation manual for shower arm & shower head:



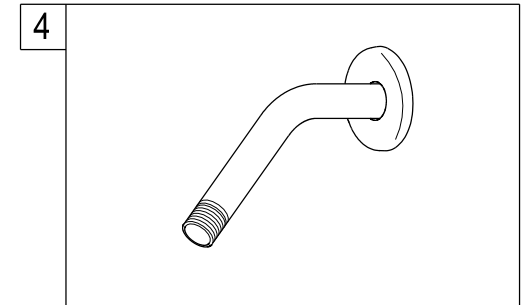
1. Place the flange into the shower rod.



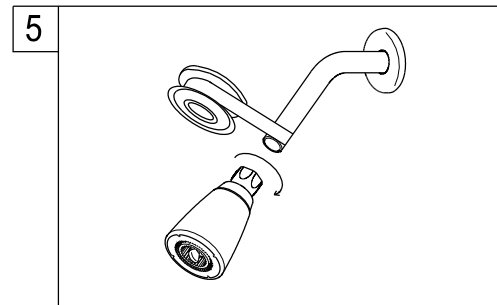
2. Wrap threads on one end of shower rod male nipple with 4 to 6 wraps of teflon.



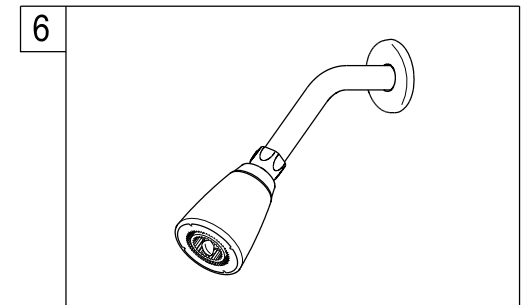
3. Thread the male nipple into female nipple (in wall), tighten with pipe wrench.



4. Turn the water on and check for leaks, any leaks will require minor tightening or adjustment.



5. Wrap teflon tape around all the threads on shower rod and hand tighten the shower head clockwise.



6. Turn the water on and check for leaks, any leaks will require minor tightening or adjustment. If the shower head leaks at the connection to the thread shower arm, tighten the connection some more by using a wrench.