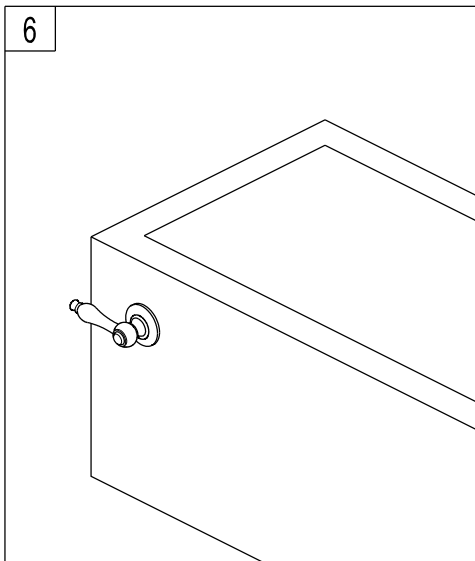
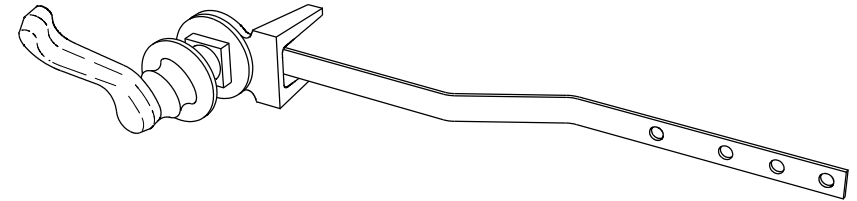
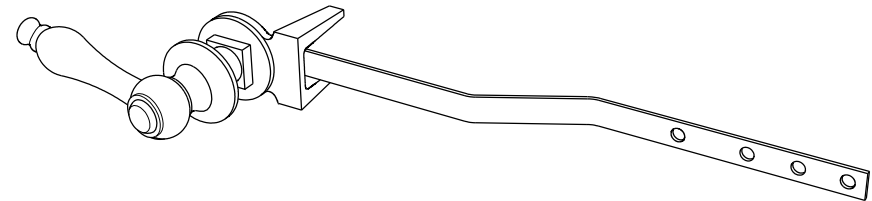


3. Slide lock nut assembly (2) over end of flush arm (6) from front and tighten by hand or wrench.
4. Positioning handle (1) to the right or left depending on preference and tighten it.
5. Insert upper copper pin into lever.



6. Flush arm (6) may be bent to fit individual applications.

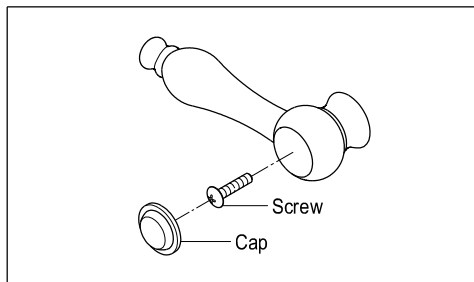
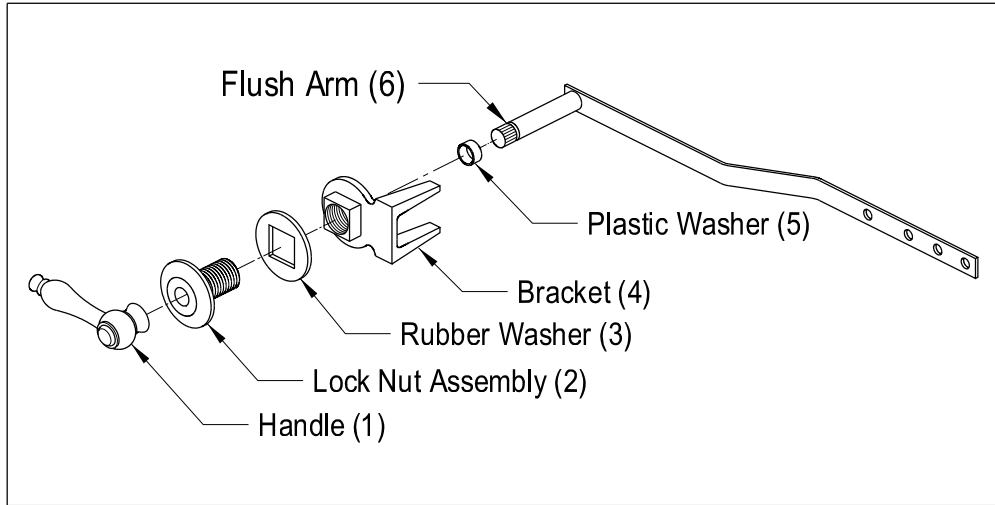


## INSTALLATION INSTRUCTIONS

### For Use With KB's Mount Tank Lever

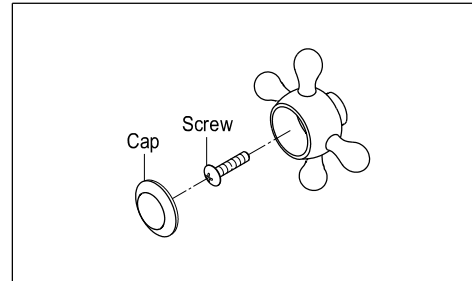
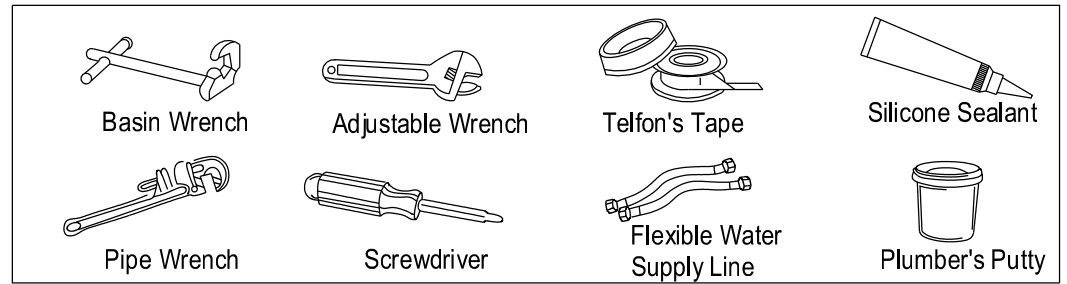
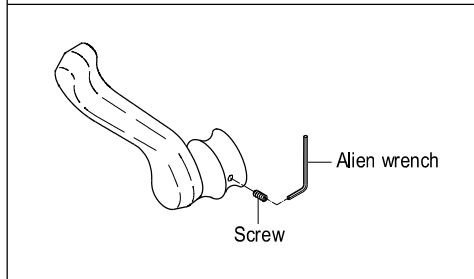
#### Disassemble tank lever :

Removing brass cotter pin from handle assembly end and slide pieces off.



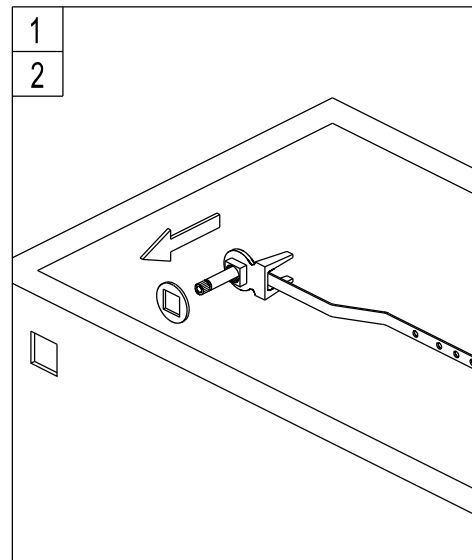
#### Lever Handles :

1. Be sure the broaches screws are tightened before installing the lever handles.
2. Put the lever handles on the broaches and tighten using the alien wrench provided.



#### Cross Handles :

1. Unscrew the screws from the top of the broaches.
2. Remove the insert cap from the cross handles.
3. Put the cross handle on the broaches and then tighten the screws. Insert the caps on the cross handles.



1. Insert plastic washer (5) and flush arm (6) through bracket (4).
2. Place rubber washer (3) onto bracket (4).