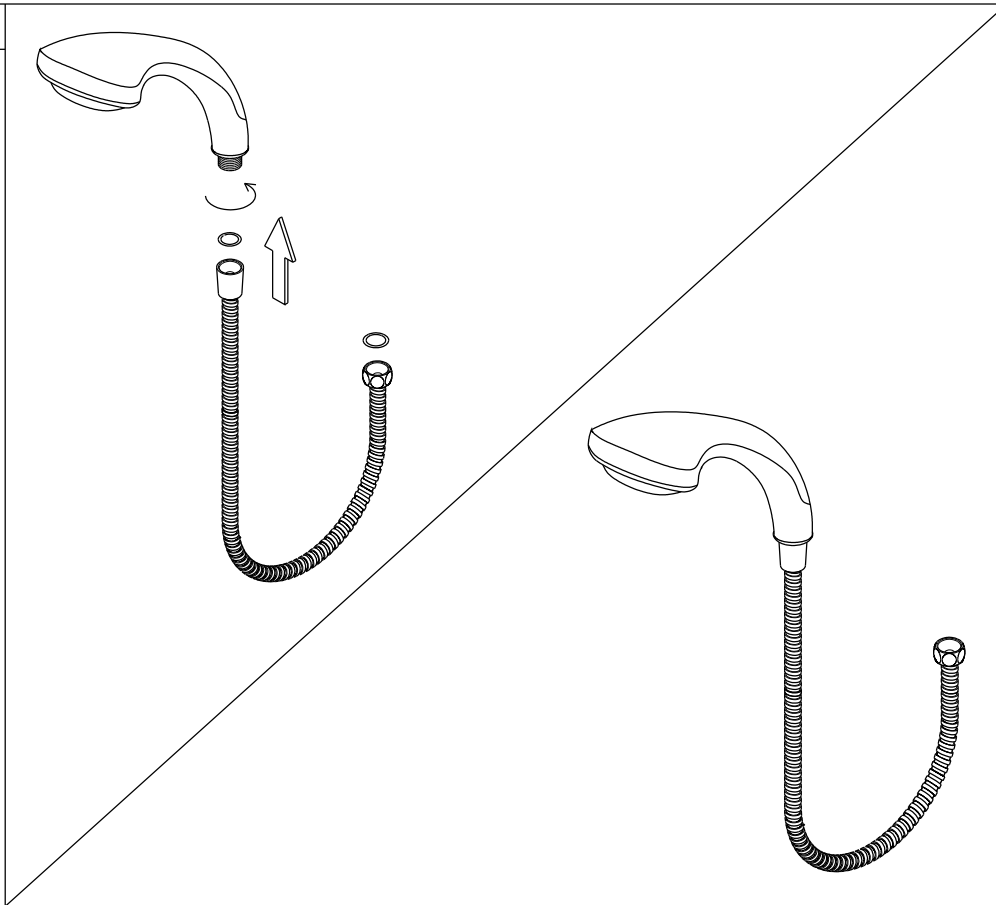


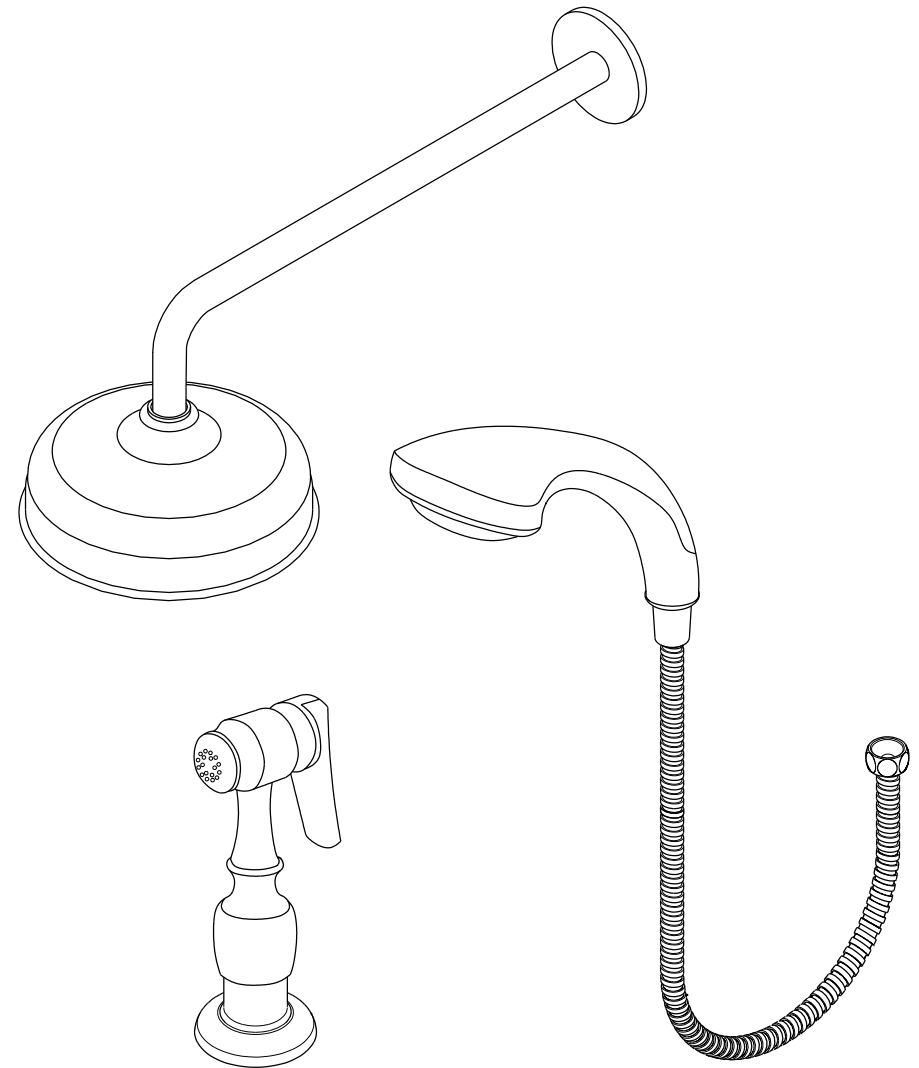
Installation manual for hand shower :

1



1. Put a washer to the cone shape hose nut and hand tightens the hand shower clockwise.
2. Turn on the water and check for leaks, if the hand shower leaks at the connection to the hose, hand tighten the connection some more.

**KINGSTON BRASS**  
THE TRADITION OF FINE BRASS

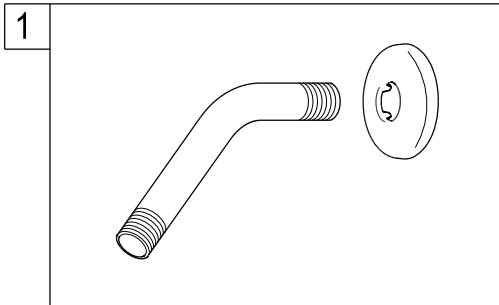


**INSTALLATION INSTRUCTIONS**  
For Use With KB's Hand Shower Sets, Showerhead Sets  
and Deck Mount Sprayer

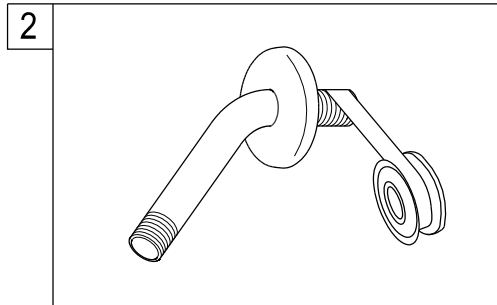
**Before installation:**

Hold the existing shower arm up and down to ensure the plumbing behind the wall is rigid to hold the weight of the new shower unit - about 3-4 lbs when filled with water.

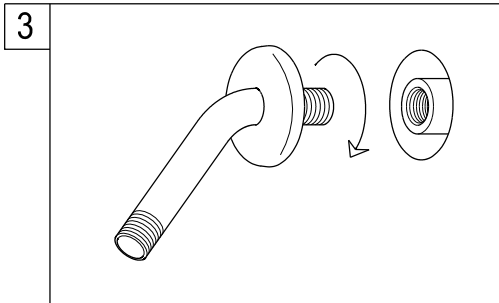
**Installation manual for shower arm & showerhead:**



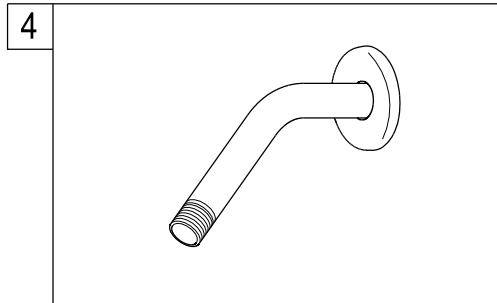
1. Place the flange into the shower rod.



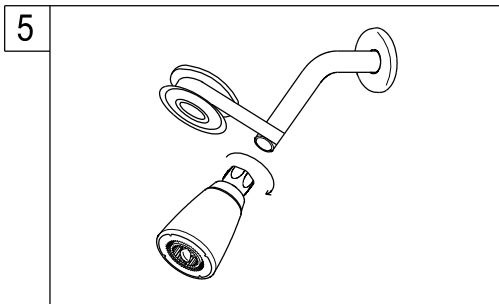
2. Wrap threads on one end of shower rod male nipple with 4 to 6 wraps of Teflon tape.



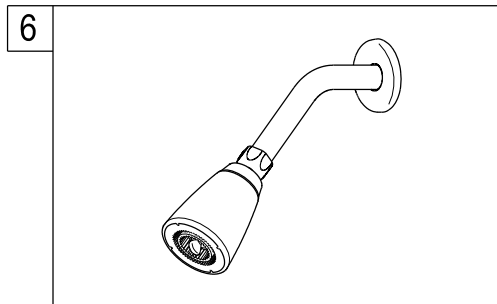
3. Thread the male nipple into female nipple (in wall), tighten with pipe wrench.



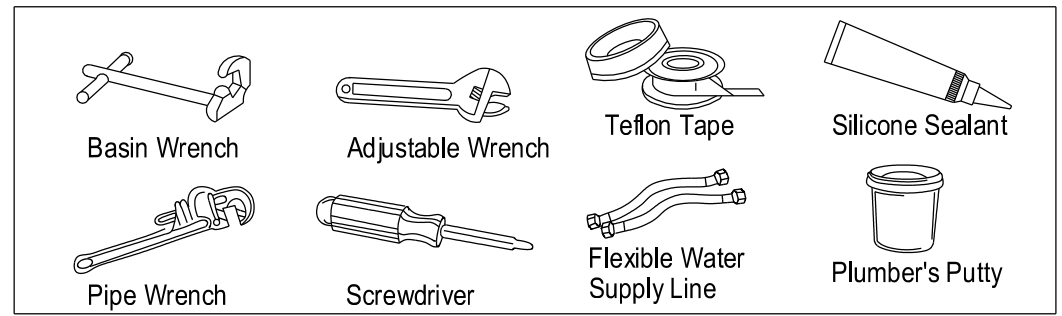
4. Turn the water on and check for leaks, any leaks will require minor tightening or adjustment.



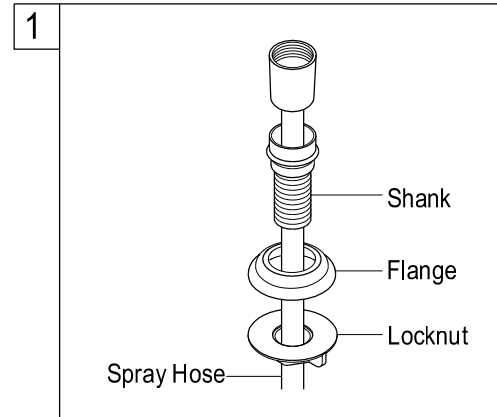
5. Wrap teflon tape around all the threads on shower rod and hand tighten the showerhead clockwise.



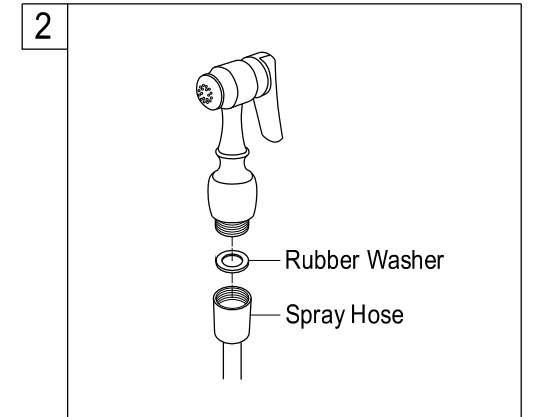
6. Turn the water on and check for leaks, any leaks will require minor tightening or adjustment. If the showerhead leaks at the connection to the thread shower arm, tighten the connection some more by using a wrench.



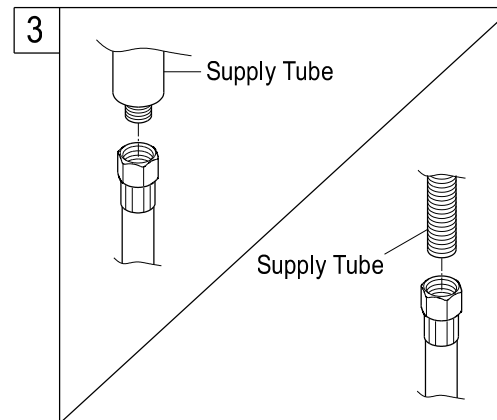
**Installation manual for deck mount sprayer:**



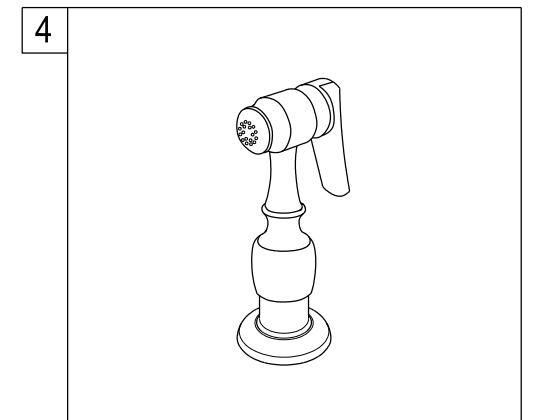
1. For model with spray head and hose, place the spray guide through the fourth hole in the sink, screw the locknut onto the shank and tighten firmly.



2. Place rubber washer to end of spray hose and attach sprayer.



3. Connect sprayer hose to the partially threaded inlet stem on the supply tube.



4. Set sprayer on base and sprayer is ready to use.