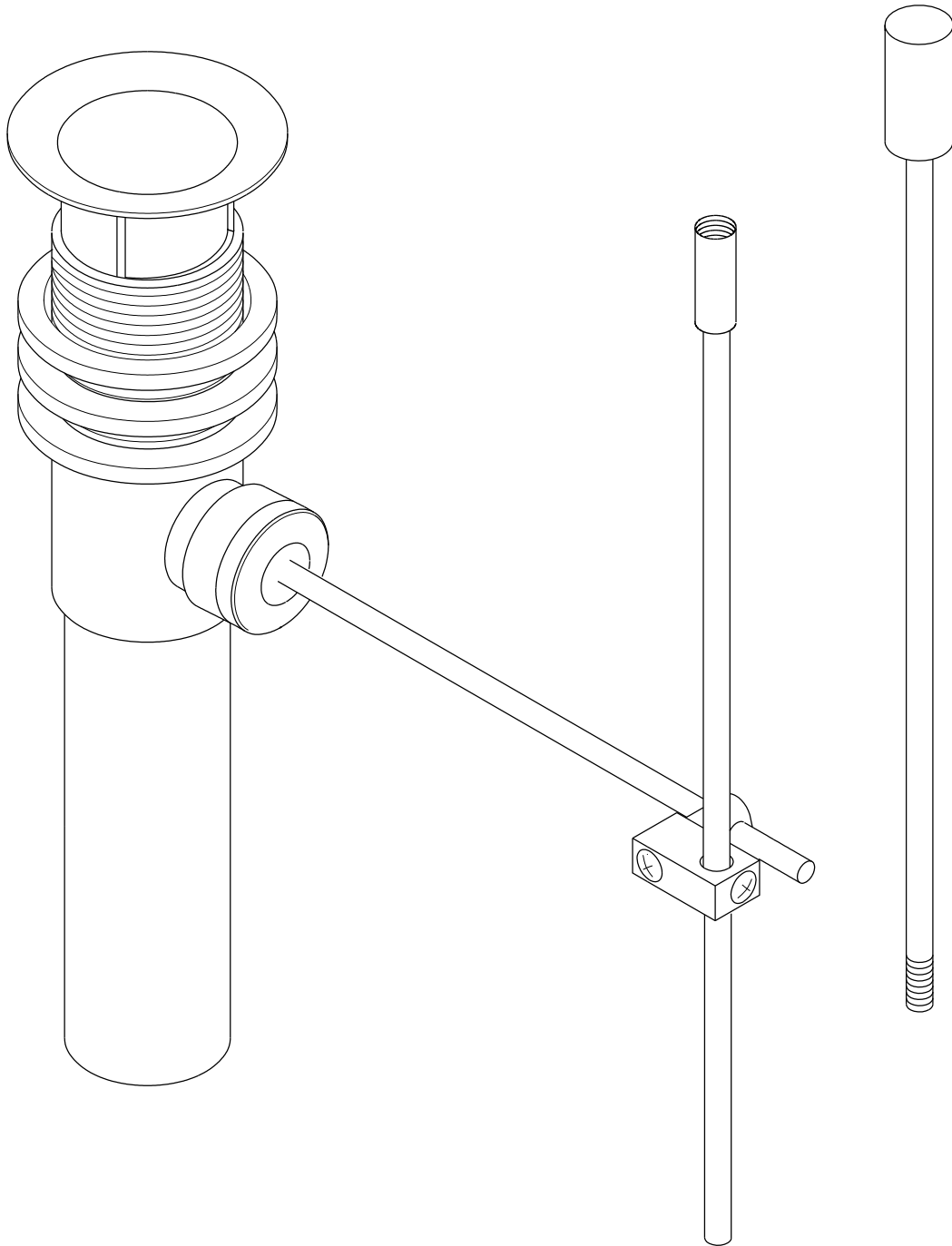


KINGSTON BRASS

THE TRADITION OF FINE BRASS



www.kingstonbrass.com

TOLL-FREE CUSTOMER SERVICE: 1-877-2-KBRASS

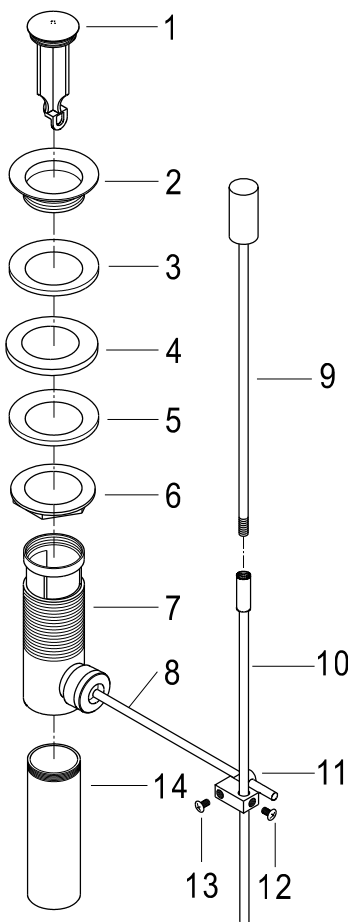
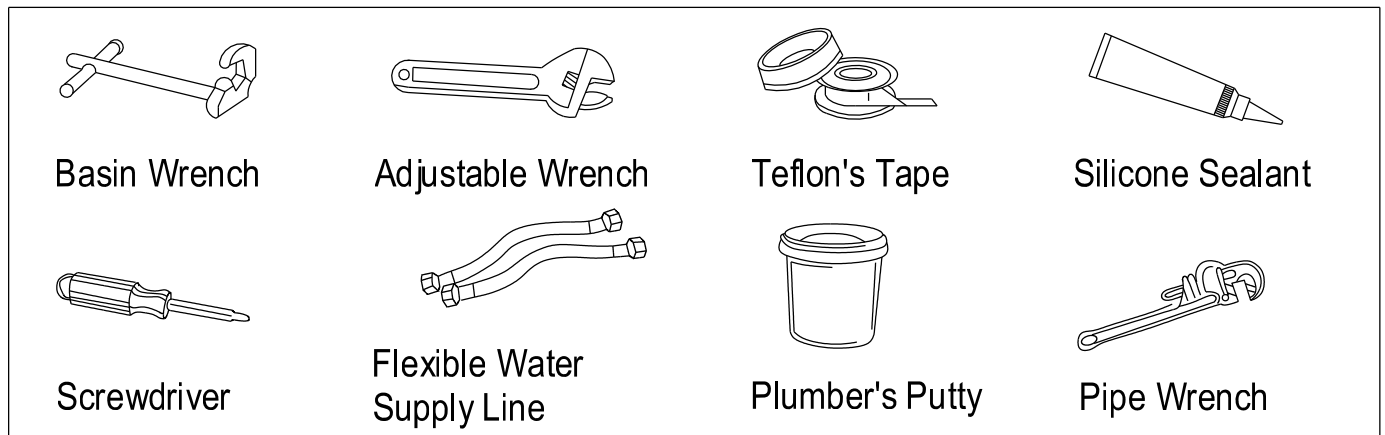
TECHNICAL SUPPORT E-mail: service@kingstonbrass.com

12775 Reservoir Street, Chino, CA91710

KINGSTON BRASS

THE TRADITION OF FINE BRASS

INSTALLATION INSTRUCTIONS For Use With KB's Pop-Up Drain



1. Remove the drain flange (2) and drain plug (1) and rubber (3) from pop-up assembly.
2. Apply a small bead of silicone caulking (Do not use plumbers putty) under drain flange.
3. Insert threaded end of pop-up assembly from underneath the sink.
4. Thread the drain flange (2) on top of pop-up assembly, making sure to position side hole towards the rear wall.
5. Insert drain plug (1) aligning the bottom hole with the side hole.
6. Insert small side of ball rod in side hole, making sure that the rod goes through bottom hole of drain plug.
7. Apply teflon tape on both tail piece thread connection (14) and ball rod thread connection. Tighten nut so that ball rod (8) moves loosely, do not over tighten.
8. Assemble pop-up rod (9 & 10). Insert it through the top portion of lift rod adjuster (11) and make necessary adjustment to allow the pop up rod well connect with the ball rod before tightening the screws (12 & 13). Screw (12) to adjust the height of the pop-up rod and screw (13) to secure and adjust the length of ball rod (8)
9. Push the ball rod down, this will make drain plug go up.
10. Test movement of pop-up; if necessary adjust by loosening screws (12 & 13) and tightening in a position that give most smooth movement.
11. Turn handles on faucet to the full on position and inspect to insure that there is no leaking underneath lavatory.