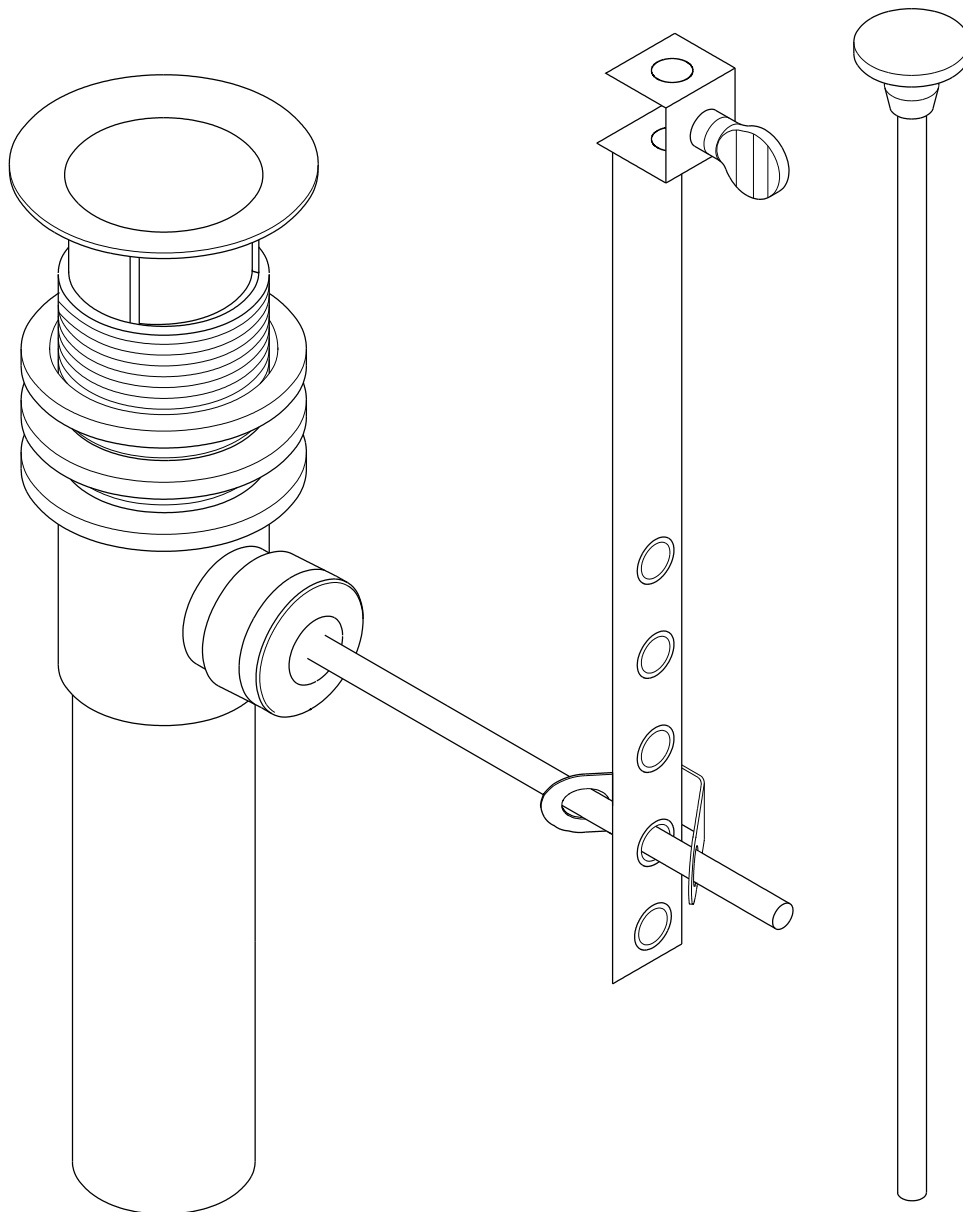


# ***KINGSTON BRASS***

**THE TRADITION OF FINE BRASS**



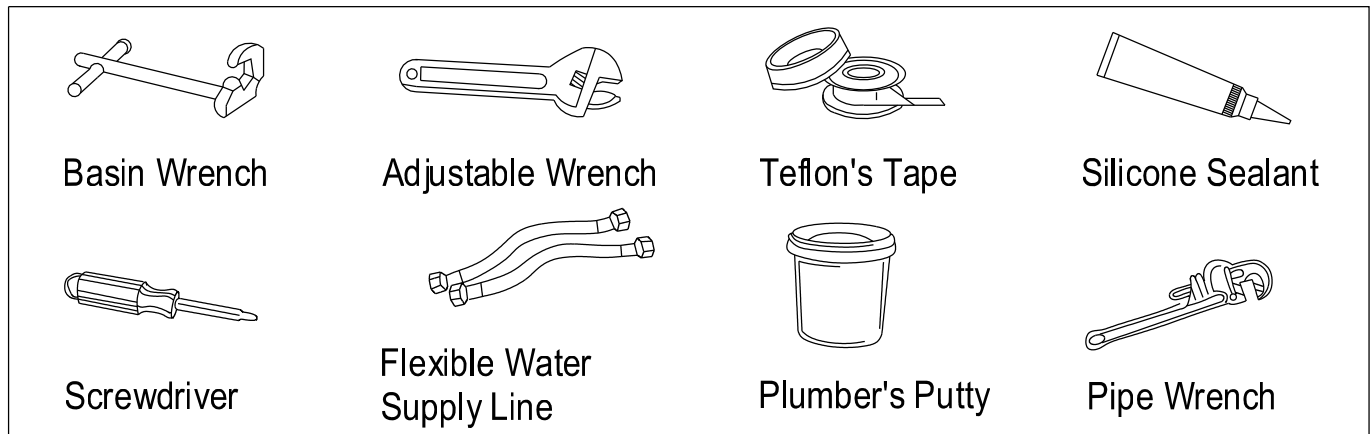
[www.kingstonbrass.com](http://www.kingstonbrass.com)

TOLL-FREE CUSTOMER SERVICE: 1-877-2-KBRASS

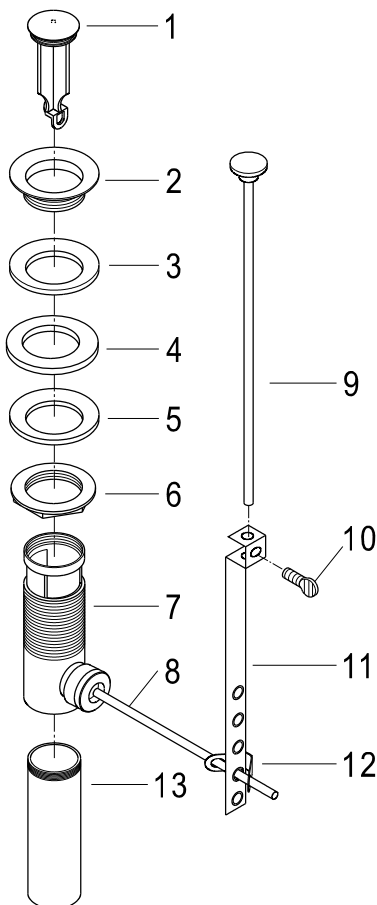
TECHNICAL SUPPORT E-mail: [service@kingstonbrass.com](mailto:service@kingstonbrass.com)

12775 Reservoir Street, Chino, CA91710

### INSTALLATION INSTRUCTIONS For Use With KB's Pop-Up



#### INSTALLATION:



1. Remove the drain flange (2) and drain plug (1) and rubber (3) from pop-up assembly.
2. Apply a small bead of silicone caulking (Do not use Plumbers putty) under drain flange.
3. Insert threaded end of pop-up assembly from underneath the sink.
4. Thread the drain flange (2) on top of pop-up assembly, making sure to position side hole towards the rear wall.
5. Insert drain plug (1) aligning the bottom hole with the side hole.
6. Insert small side of ball rod in side hole, making sure that the rod goes through bottom hole of drain plug.
7. Apply teflon tape on both tail piece thread connection (13) and ball rod thread connection. tighten nut so that ball rod (8) moves loosely, do not over tighten.
8. Insert pop-up rod (8) through the top portion of lift rod strap (9) and tighten thumb screw (10).
9. Push the ball rod down, this will make drain plug go up.
10. Insert one side of ball rod clip (12).
11. Insert lift rod strap onto ball rod.
12. Slide other side of ball rod clip.
13. Test movement of pop-up, if necessary adjust by loosening thumb screw and tightening in a position that will give you smooth movement. lift rod strap may also be used for adjustment.
14. Turns handles on faucet to the full on position and inspect to insure that there is no leaking underneath lavatory.