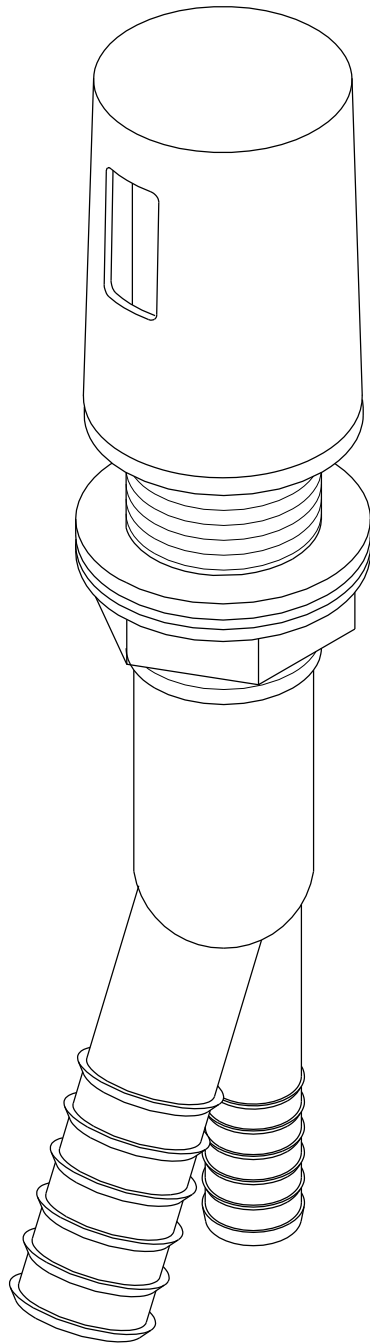


KINGSTON BRASS

THE TRADITION OF FINE BRASS



www.kingstonbrass.com

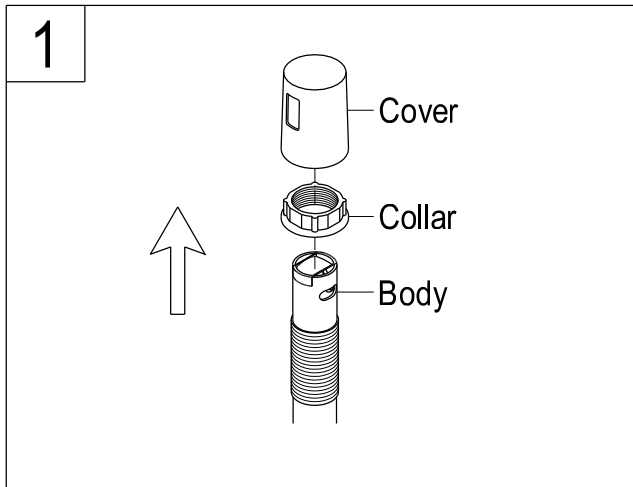
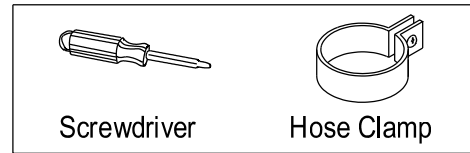
TOLL-FREE CUSTOMER SERVICE: 1-877-2-KBRASS

TECHNICAL SUPPORT E-mail: service@kingstonbrass.com

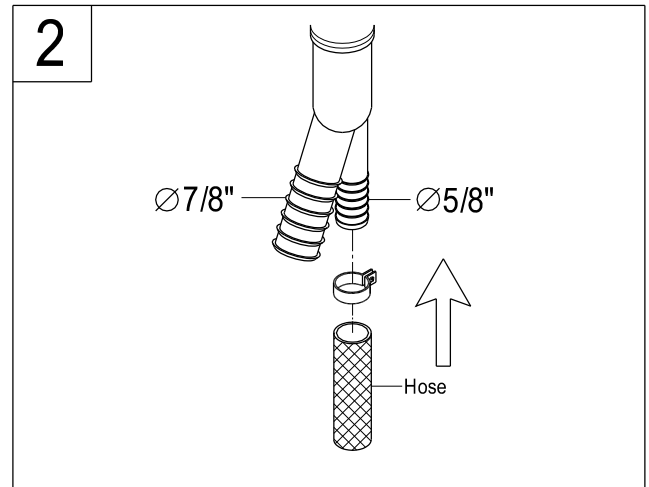
12775 Reservoir Street, Chino, CA91710

Installation Instructions For Use With KB's Air Cap

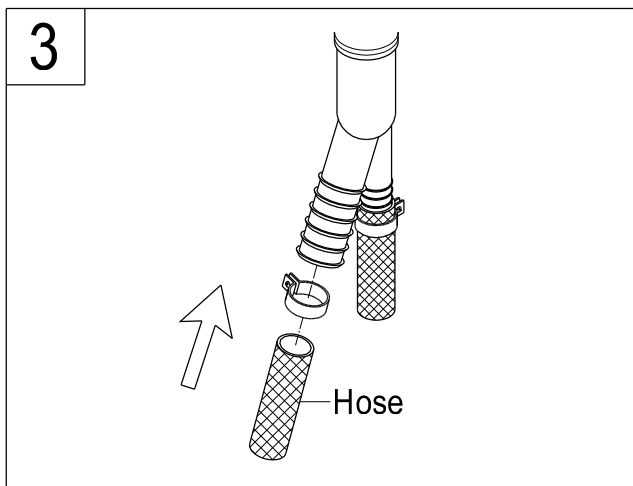
TOOLS REQUIRED



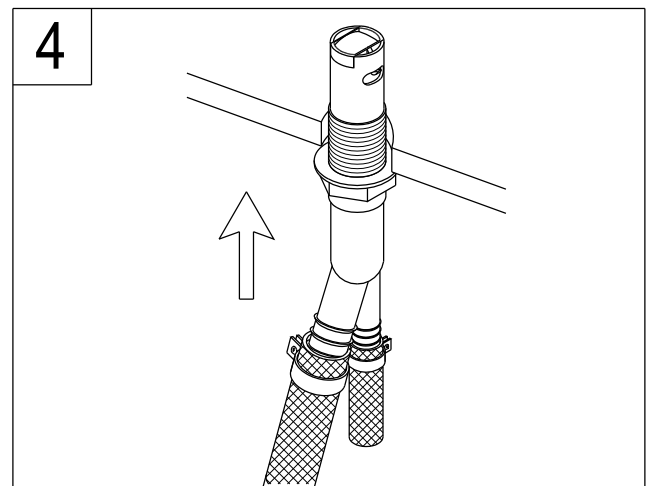
1. Remove cover and collar from body.



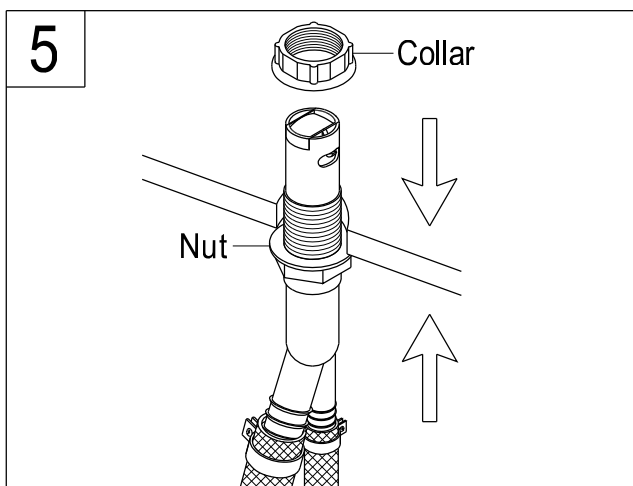
2. Attach 5/8" dishwasher drain hose to 5/8" leg. Secure with hose clamp.



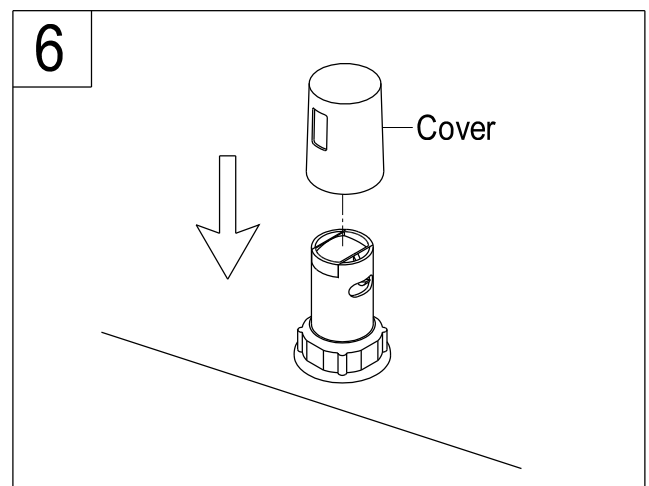
3. Attach 7/8" garbage disposal hose or side inlet sink trap drain hose to 7/8" leg. Secure with hose clamp.



4. Air Cap should appear above sink rim surface. Push body through mounting hole.



5. Tighten the nut and collar.



6. Place cover over the body collar.