

## 10 YEAR MANUFACTURER'S

### LIMITED WARRANTY

All parts of this GOURMETIER FAUCET are warranted to the original retail purchaser to be free from defects in material and workmanship for a period of Ten(10) years from the date of purchase as shown on the purchaser's receipt.

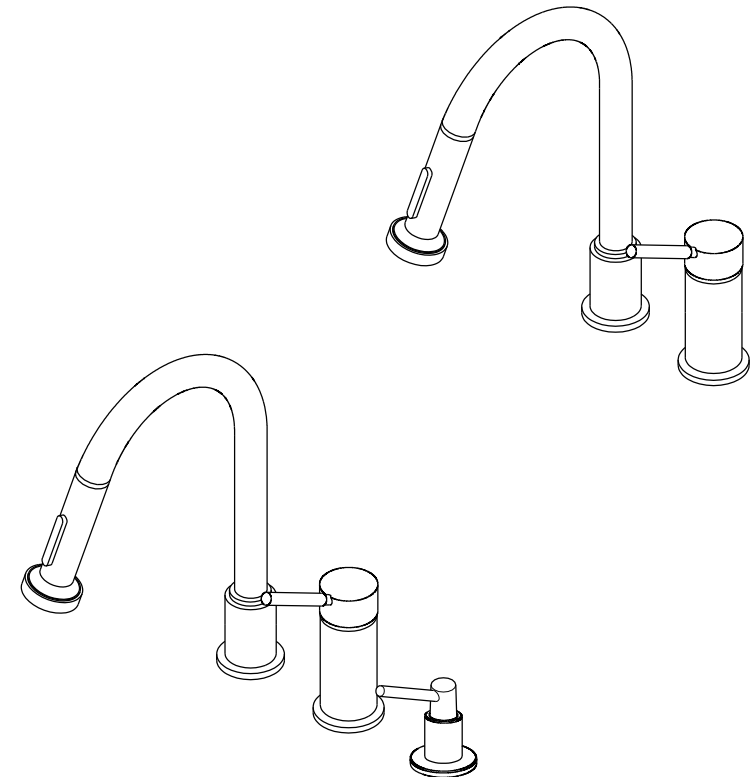
This warranty is limited to defective parts only, labor charges and/or damage resulting from improper installation, repair or replacements, as well as incidental and consequential damages connected therewith are excluded.

Any damage to this faucet as a result of misuse, abuse, neglect, accident, or improper installation or any use not consistent with the instructions furnished by us, will void this warranty.

Replacement parts can be obtained from your local dealer. Freight cost is not covered by manufacturer.

### **CAUTION!!!**

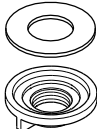
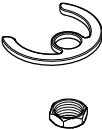
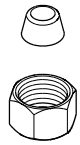
1. Water lines must be completely flushed before use, to avoid debris & clogs in your water system leading to mal-function and reduction of water flow.
2. Warranty to be void if water lines are not flushed before use of new faucet.
3. Use of abrasives of any strength may damage the finish of your faucet and void this warranty.



### PROBLEMS SHOOTING

PROBLEM	CAUSE	CORRECTIVE ACTION
Leaks underneath handle	Bonnet nut has come loose	Remove the handle and tightening the bonnet nut
Leaks from the spout	Valve seat and spring are worn	Replace the valve seat and spring
Inconsistent water flow pattern	Aerator is dirty or aged	Release aerator and check on rubber gasket if aged or replace with new aerator
Faucet is dirty	Caused by stubborn water spot	Clean with mild soap and warm water as often as possible
Handles works backward	Handle install backward	Rotate the right stem stop assembly 180 degrees

### Parts:

Rubber Washer & Lock Nut	Metal Washer & Lock Nut	Cone Washer & Coupling Nut
 X1	 X1	 X2

[www.kingstonbrass.com](http://www.kingstonbrass.com)

TOLL-FREE CUSTOMER SERVICE: 1-877-2-KBRASS

TECHNICAL SUPPORT E-mail: [service@kingstonbrass.com](mailto:service@kingstonbrass.com)

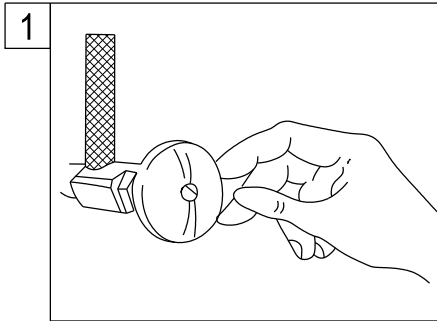
12775 Reservoir Street, Chino, CA91710

## INSTALLATION INSTRUCTIONS

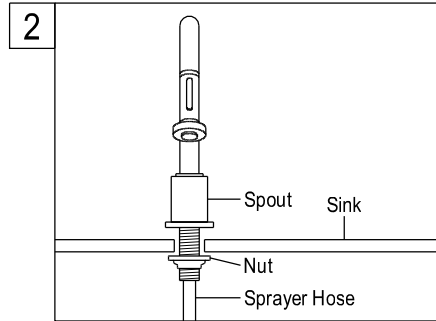
### For Use With GF's Widespread Single Handle Kitchen Faucet with or without Soap Dispenser

#### BEFORE BEGINNING INSTALLATION

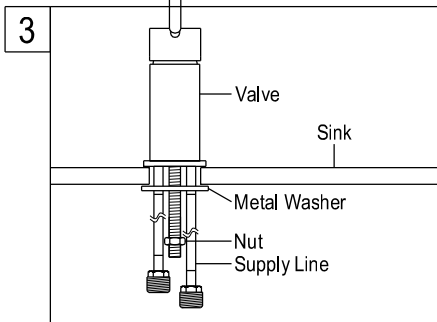
1. Flush plumbing lines to clear debris in pipe and plumbing lines to avoid existing clogs into waterway & cartridge system of new faucet fixture.
2. Shut off both supply lines after flushing



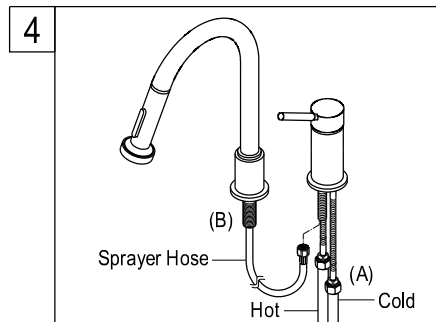
1. Shut off hot and cold water supply under sink. Plug sink drain with cloth to avoid losing small parts. Remove old faucet.



2. Install spout. Back off nut and insert through sink. Be sure to keep above the sink surface. From underneath sink, attach nut to spout and tighten by hand. Be careful not to overtighten.

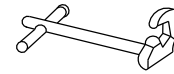


3. Install Valve. Insert valve through sink. Position valve so that the longer supply line is on the left side. Place metal washer over the threaded stem and thread nut into place. Tighten nut using enclosed wrench. Be sure to keep rubber washer above the sink surface.



4. Water Line Connections  
 A. Connect hot and cold water supply line to faucet.  
 B. Connect small end of metal braided hose to the faucet valve.  
 Connect other end of hose to the spout.  
 Tighten all connections securely with a wrench. Be careful not to over tighten.

**CAUTION:**  
 If faucet supply lines need to be bent, grip tubes at point of bending and slowly pull tube into position. Extreme care must be exercised. Kinked tubes will void the warranty.



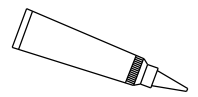
Basin Wrench



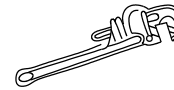
Adjustable Wrench



Teflon's Tape



Silicone Sealant



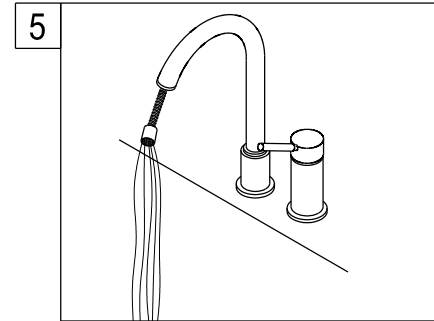
Pipe Wrench



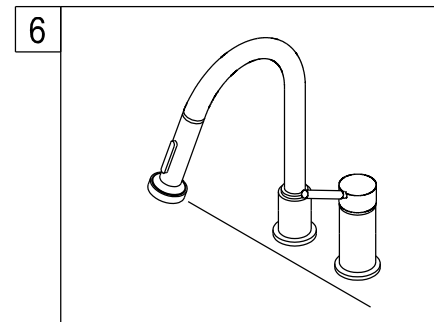
Flexible Water Supply Line



Plumber's Putty

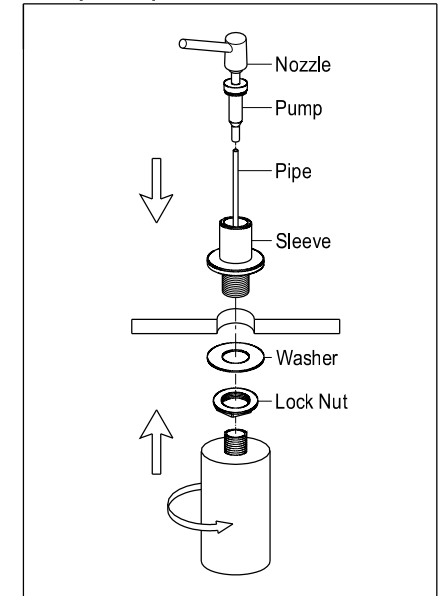


5. Pull the spray hose through the spout and secure the end into the drain, or have a secure party hold the spray hose, and turn on the faucet and flush for one minute.



6. Attach spray head to the large end of the stainless steel hose. Insert spray head onto faucet body.  
 If properly installed and maintained. This quality product will provide you with years of trouble-free operation.

#### Soap Dispenser Installation



1. Install pipe into soap pump.
2. Remove washer and nut from soap dispenser sleeve.
3. Insert soap dispenser sleeve through sink hole and secure with washer and nut.
4. Screw soap bottle into soap dispenser sleeve, hand tighten.
5. Pour in liquid soap ( or hand lotion).
6. Put the pump nozzle and plastic pump into sleeve.