

10 YEAR MANUFACTURER'S
LIMITED WARRANTY

All parts of this GOURMETIER faucet are warranted to original retail purchaser to be free from defects in material and workmanship for a period of Ten(10) years from the date of purchase as shown on the purchaser's receipt.

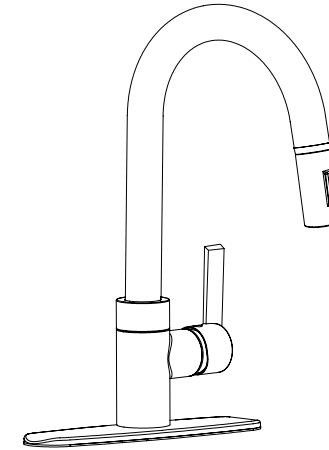
This warranty is limited to defective parts only, labor charges and/or damage resulting from improper installation, repair or replacements, as well as incidental and consequential damages connected therewith are excluded.

Any damage to this faucet as a result of misuse, abuse, neglect, accident, or improper installation or any use not consistent with the instructions furnished by us, will void this warranty.

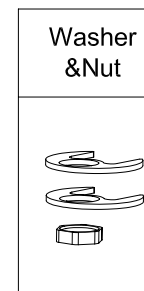
Replacement parts can be obtained from your local dealer. Freight cost is not covered by manufacturer.

CAUTION!!!

1. Water lines must be completely flushed before use, to avoid debris & clogs in your water system leading to mal-function and reduction of water flow.
2. Warranty to be void if water lines are not flushed before use of new faucet.
3. Use of abrasives of any strength may damage the finish of your faucet and void this warranty.



Parts:



PROBLEMS SHOOTING		
PROBLEM	CAUSE	CORRECTIVE ACTION
Leaks underneath handle	Bonnet nut has come loose	Remove the handle and tightening the bonnet nut
Leaks from the spout	Valve seat and spring are worn	Replace the valve seat and spring
Inconsistent water flow pattern	Aerator is dirty or aged	Release aerator and check on rubber gasket if aged or replace with new aerator
Faucet is dirty	Caused by stubborn water spot	Clean with mild soap and warm water as often as possible
Handles works backward	Handle install backward	Rotate the right stem stop assembly 180 degrees

www.kingstonbrass.com

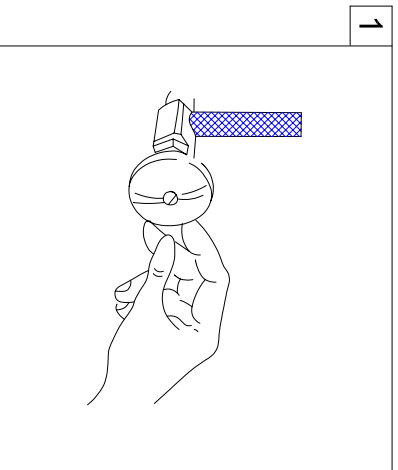
TOLL-FREE CUSTOMER SERVICE: 1-877-2-KBRASS
TECHNICAL SUPPORT E-mail: service@kingstonbrass.com
12775 Reservoir Street, Chino, CA91710

INSTALLATION INSTRUCTIONS

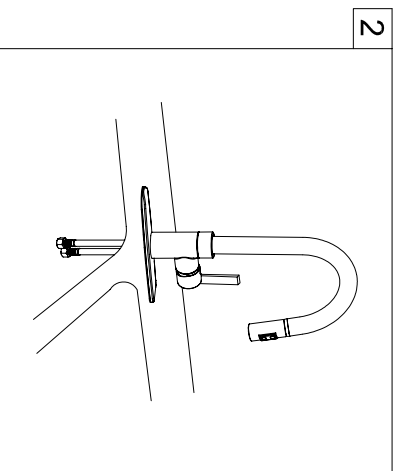
For Use With GF's Single Handle Kitchen Faucet with Pull Down Spray

BEFORE BEGINNING INSTALLATION

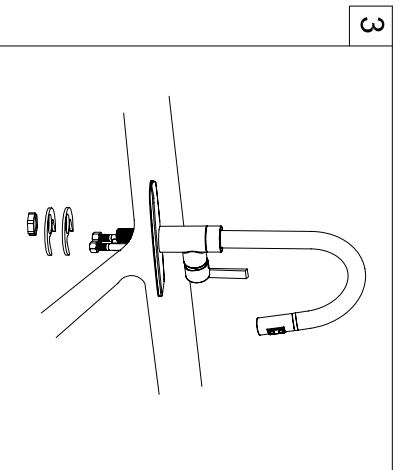
1. Flush plumbing lines to clear any debris.
2. Shut off both supply lines after flushing.
3. Recommended faucet hole diameter to be 1-1/2"



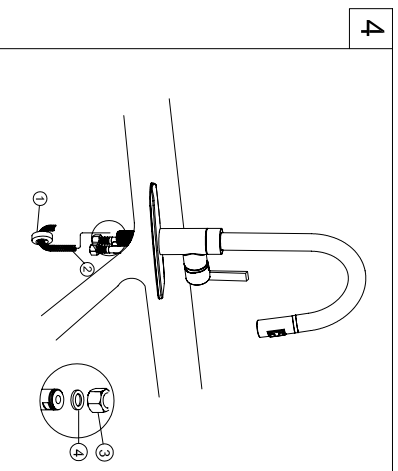
1. Shut off hot and cold water supply under sink. Plug sink drain with cloth to avoid losing small parts. Remove old faucet.



2. Place optional Escutcheon or Flange on bottom of new faucet before position faucet through mounting hole.

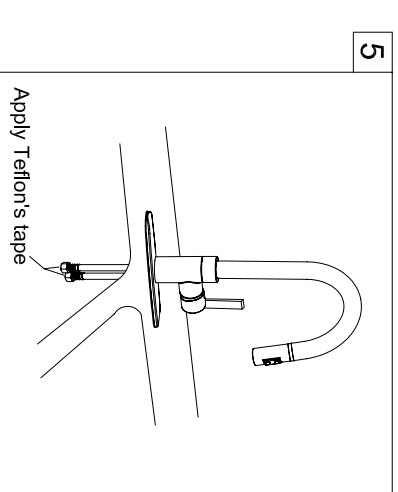


3. Screw the mounting stud into the body. Secure the faucet to sink by installing rubber washer, steel washer and nut onto it. Tighten with wrench.

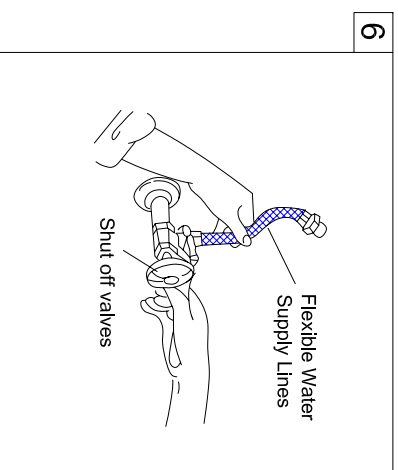


4. Install Weights(1) onto spray hose (2). Connect hose to outlet tube(3) and tighten. Do not overtighten.

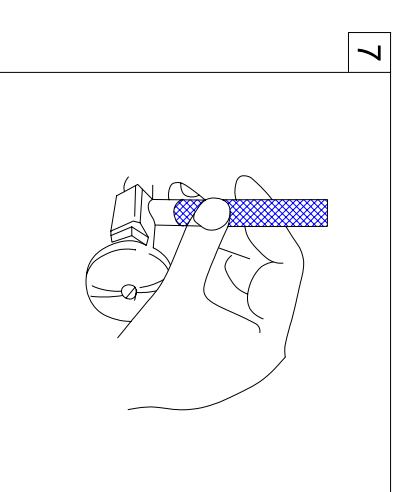
WARNING: BE SURE TO INSTALL THE WASHER(4).



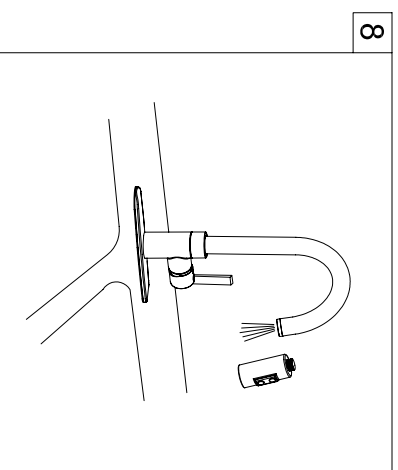
5. Apply Teflon's tape to inlet shanks and connect supply lines.



6. Connect the water supply lines. Before connecting the supply lines, apply pipe joint compound to the threads on the inlet shanks and shut off valves with an adjustable wrench.



7. Turn on water supply valves and check for leaks on supply lines and connection lines.



8. Important: After installation is completed. Turn on water supply and allow both hot and cold water to run for at least one minute each. While water is running, check for leaks.

Need Tools:

