

10 YEAR MANUFACTURER'S

LIMITED WARRANTY

All parts of this GOURMETIER faucet are warranted to the original retail purchaser to be free from defects in material and workmanship for a period of Ten(10) years from the date of purchase as shown on the purchaser's receipt.

This warranty is limited to defective parts only, labor charges and/or damage resulting from improper installation, repair or replacements, as well as incidental and consequential damages connected therewith are excluded.

Any damage to this faucet as a result of misuse, abuse, neglect, accident, or improper installation or any use not consistent with the instructions furnished by us, will void this warranty.

Replacement parts can be obtained from your local dealer. Freight cost is not covered by manufacturer.

CAUTION!!!

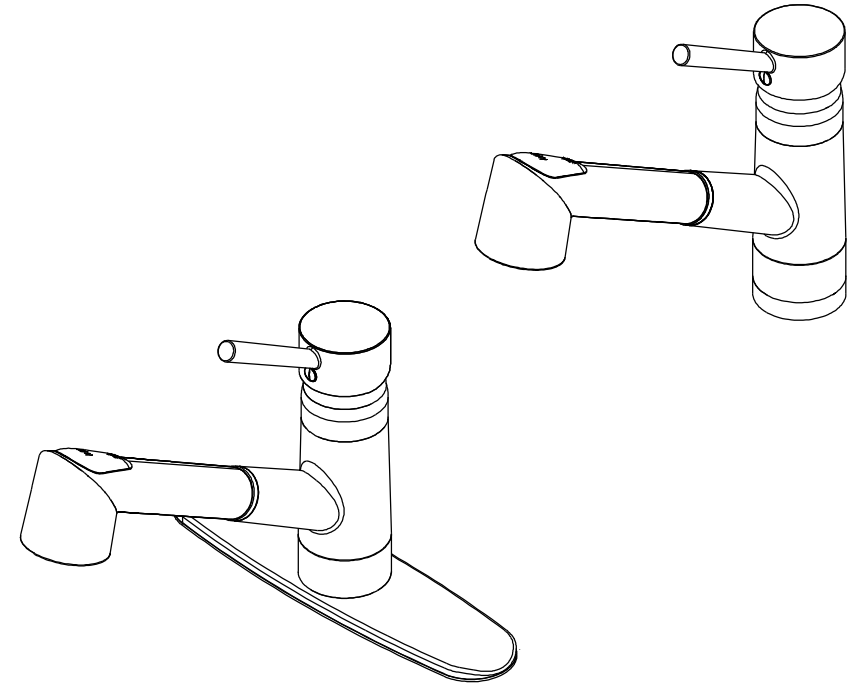
1. Water lines must be completely flushed before use, to avoid debris & clogs in your water system leading to mal-function and reduction of water flow.
2. Warranty to be void if water lines are not flushed before use of new faucet.
3. Use of abrasives of any strength may damage the finish of your faucet and void this warranty.

PROBLEMS SHOOTING

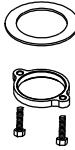

PROBLEM	CAUSE	CORRECTIVE ACTION
Leaks underneath handle	Bonnet nut has come loose	Remove the handle and tightening the bonnet nut
Leaks from the spout	Valve seat and spring are worn	Replace the valve seat and spring
Inconsistent water flow pattern	Aerator is dirty or aged	Release aerator and check on rubber gasket if aged or replace with new aerator
Faucet is dirty	Caused by stubborn water spot	Clean with mild soap and warm water as often as possible
Handles works backward	Handle install backward	Rotate the right stem stop assembly 180 degrees

CODE APPROVAL: LA#M-000018

GOURMETIER[®]
KINGSTON CREATION



Parts:

Washer Nut & Screw	Weight
	
X1	X1

www.kingstonbrass.com

TOLL-FREE CUSTOMER SERVICE: 1-877-2-KBRASS
TECHNICAL SUPPORT E-mail: service@kingstonbrass.com
12775 Reservoir Street, Chino, CA91710

GOURMETIER®

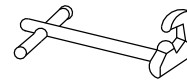
KINGSTON CREATION

INSTALLATION INSTRUCTIONS

For Use With GF's Single Handle Pull Out Kitchen Faucets

BEFORE BEGINNING INSTALLATION

1. Flush plumbing lines to clear debris in pipe and plumbing lines to avoid existing clogs into waterway & cartridge system of new faucet fixture.
2. Shut off both supply lines after flushing



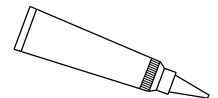
Basin Wrench



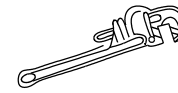
Adjustable Wrench



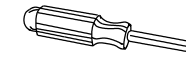
Teflon's Tape



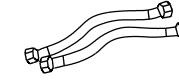
Silicone Sealant



Pipe Wrench



Screwdriver

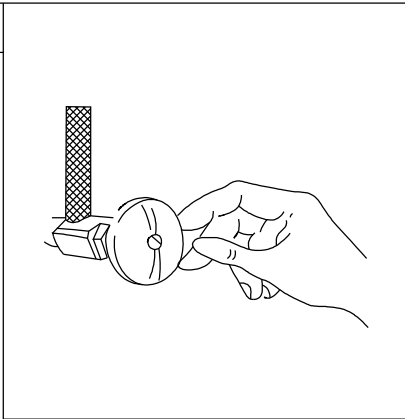


Flexible Water Supply Line



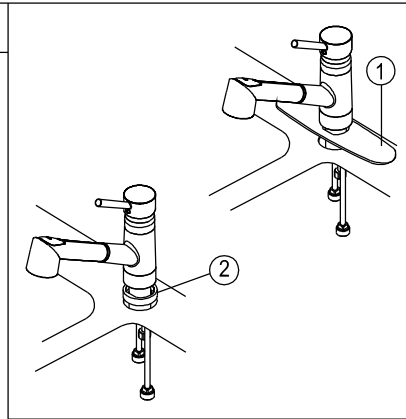
Plumber's Putty

1



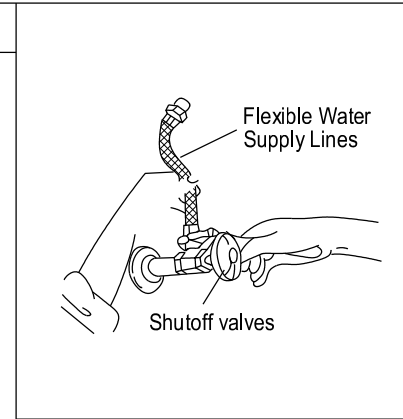
1. Shut off hot and cold water supply under sink. Plug sink drain with cloth to avoid losing small parts. Remove old faucet.

2



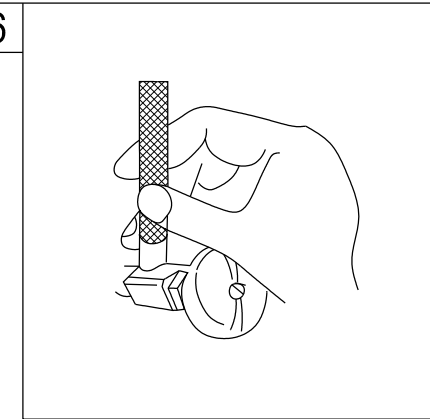
2. Place assembly(1) or flange(2) on bottom of new faucet (Optional). Position faucet through mounting hole.

5



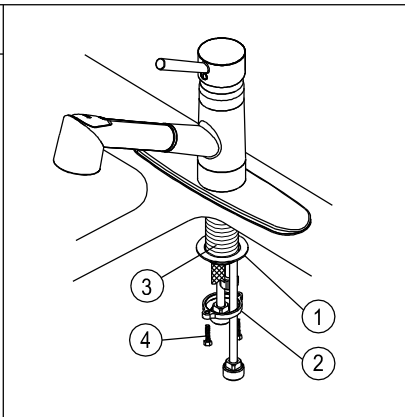
5. Connect the water supply lines. Before connecting the supply lines, apply pipe joint compound to the threads on the inlet shanks and shut off valves with an adjustable wrench.

6



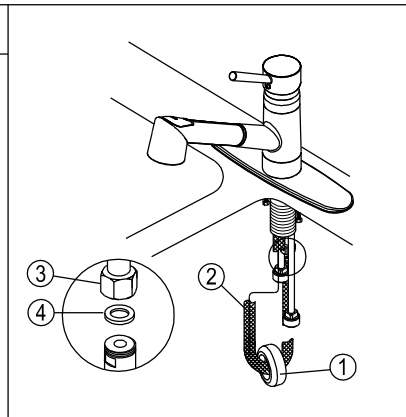
6. Turn on water supply valves and check for leaks, especially at hook-ups to supply lines.

3



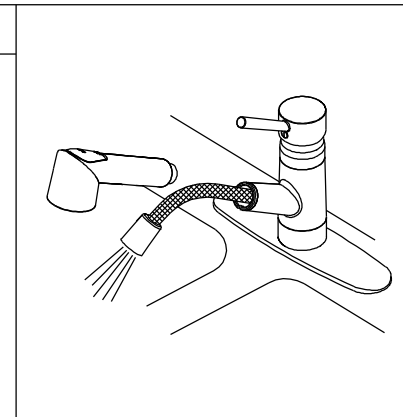
3. Assemble washer(1), and thread mounting nut(2) onto shank(3) underneath the sink then hand tighten. Secure locking screws(4) on mounting nut(2) and tighten locking screws(4) to washer(1).

4



4. Installation weights(1) onto sprayer hose(2). Connect hose to outlet tube(3) and tighten. Do not overtighten. **WARNING: BE SURE TO INSTALL THE WASHER(4)**

7



7. Important Remove sprayer, turn on water supply and allow both hot and cold water to run for at least one minute. While water is running check for leaks and install the sprayer after done.