

10 YEAR MANUFACTURER'S

LIMITED WARRANTY

All parts of this Kingston Brass faucet are warranted to the original retail purchaser to be free from defects in material and workmanship for a period of Ten(10) years from the date of purchase as shown on the purchaser's receipt.

This warranty is limited to defective parts only, labor charges and/or damage resulting from improper installation, repair or replacements, as well as incidental and consequential damages connected therewith are excluded.

Any damage to this faucet as a result of misuse, abuse, neglect, accident, or improper installation or any use not consistent with the instructions furnished by us, will void this warranty.

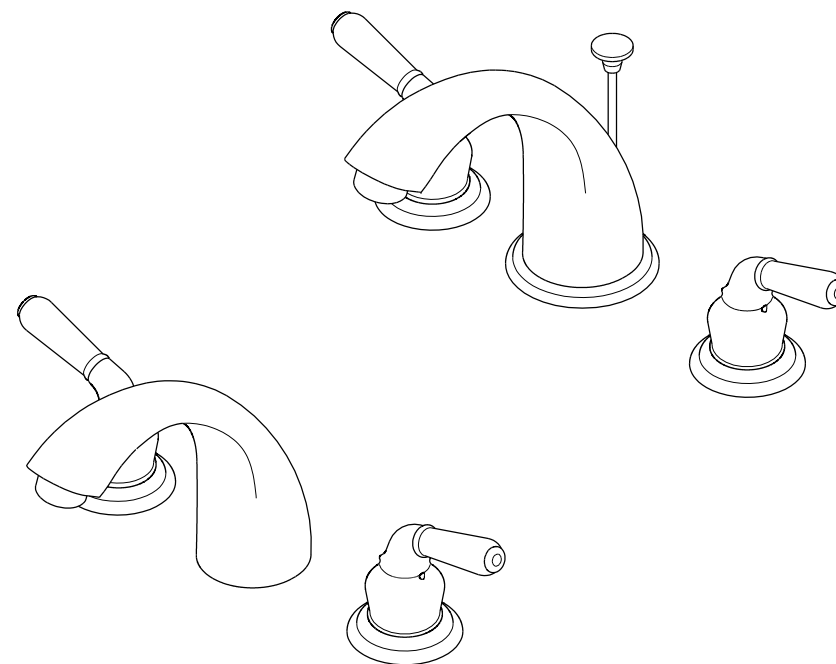
Replacement parts can be obtained from your local dealer. Freight cost is not covered by manufacturer.

CAUTION!!!

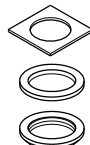

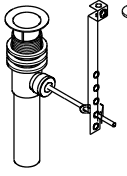
1. Water lines must be completely flushed before use, to avoid debris & clogs in your water system leading to mal-function and reduction of water flow.
2. Warranty to be void if water lines are not flushed before use of new faucet.
3. Use of abrasives of any strength may damage the finish of your faucet and void this warranty.

KINGSTON BRASS

THE TRADITION OF FINE BRASS



Parts:

Washer & Lock Nut	Cone Washer & Coupling Nut	Pop Up
 X2	 X2	

PROBLEMS SHOOTING		
PROBLEM	CAUSE	CORRECTIVE ACTION
Leaks underneath handle	Bonnet nut has come loose	Remove the handle and tightening the bonnet nut
Leaks from the spout	Valve seat and spring are worn	Replace the valve seat and spring
Inconsistent water flow pattern	Aerator is dirty or aged	Release aerator and check on rubber gasket if aged or replace with new aerator
Faucet is dirty	Caused by stubborn water spot	Clean with mild soap and warm water as often as possible
Handles works backward	Handle install backward	Rotate the right stem stop assembly 180 degrees

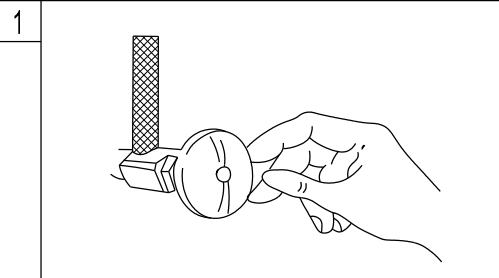
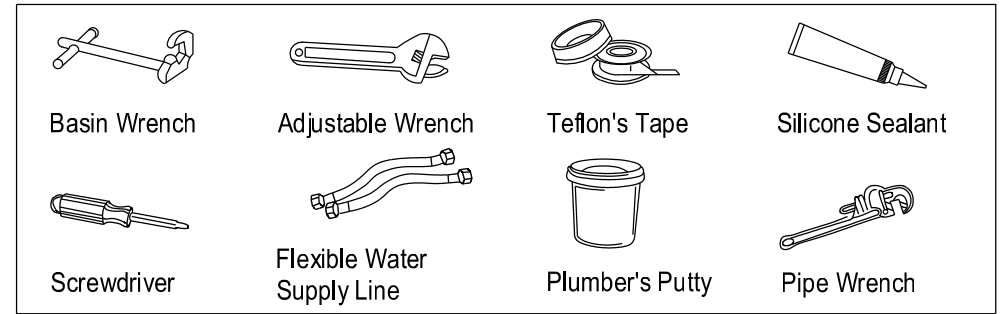
www.kingstonbrass.com
 TOLL-FREE CUSTOMER SERVICE: 877-2-KBRASS
 TECHNICAL SUPPORT E-mail: service@kingstonbrass.com
 6240 Prescott Court, Chino, CA91710

INSTALLATION INSTRUCTIONS

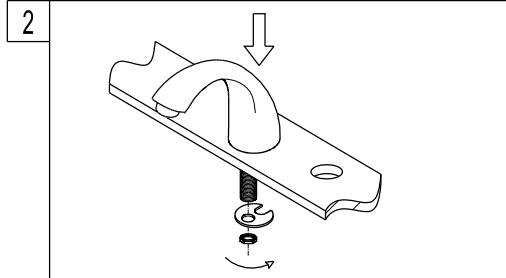
For Use With KB's Wide Spread Lavatory faucet
With or Without Pop-up

Before Beginning Installation.

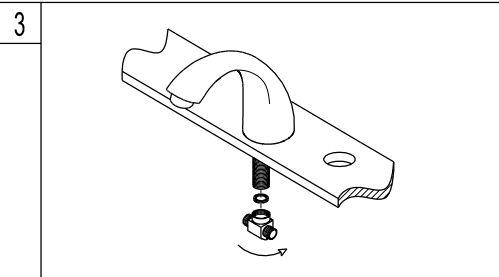
- 1 Flush plumbing lines to clear debris in pipe and plumbing lines to avoid existing clogs into waterway & cartridge system of new faucet fixture.
2. Shut off both supply lines after flushing



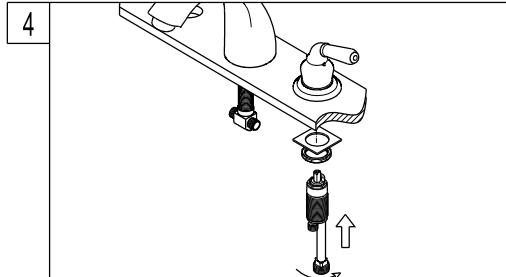
1. Shut off hot and cold water supply under sink. Plug sink drain with cloth to avoid losing small parts. Remove old faucet.



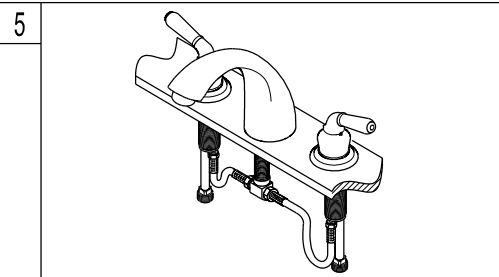
2. Install new faucet shank through the center hole of sink. Place mounting washer on spout shank and attach with spout shank locknut.



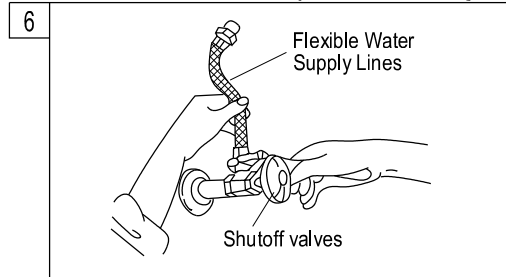
3. Attach Spout Tee on the spout shank.



4. Hold the handles in proper position. Make sure that the top of the faucet handles is 5/8" above the top of the sink. Mount the metal washer and locknut from underneath the sink. Then reposition escutcheons as necessary to a desired height.

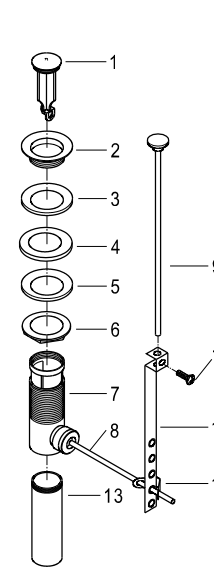


5. Connect the flexible tubes from the supply shank side port to the Spout Tee. And reattach the supply lines.

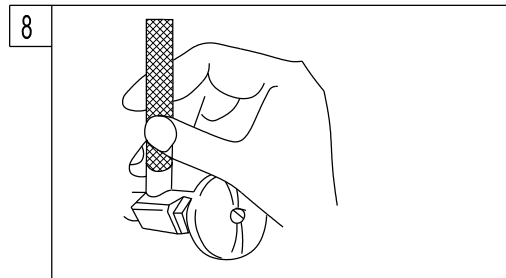


6. Connect the water supply lines. Before connecting the supply lines, apply pipe joint compound to the threads on the inlet shanks and shut off valves with an adjustable wrench.

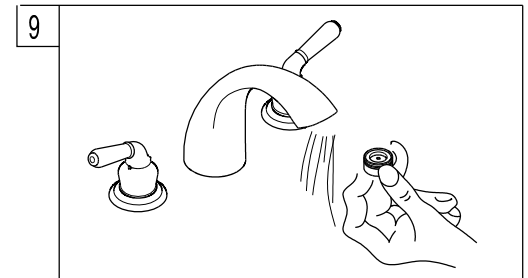
7 POP-UP DRAIN INSTALLATION



1. Remove the drain flange (2) and drain plug (1) and rubber (3) from Pop-up assembly.
2. Apply a small bead of silicone caulking (Do not use Plumbers putty) under drain flange.
3. Insert threaded end of pop-up assembly from underneath the sink.
4. Thread the drain flange (2) on top of pop-up assembly, making sure to position side hole towards the rear wall.
5. Insert drain plug aligning the bottom hole with the side hole
6. Insert small side of ball rod in side hole, making sure that the rod goes through bottom hole of drain plug.
7. Apply Teflon tape on both tail piece thread connection (13) and ball rod thread connection. Tighten nut so that ball rod (8) moves loosely, do not over tighten.
8. Insert pop-up rod (8) through the top portion of lift rod strap (9) and tighten thumb screw (10).
9. Push the ball rod down, this will make drain plug go up.
10. Insert one side of ball rod clip (12)
11. Insert lift rod strap onto ball rod
12. Slide other side of ball rod clip
13. Test movement of pop-up, if necessary adjust by loosening thumb screw and tightening in a position that will give you smooth movement. Lift Rod strap may also be used for adjustment.
14. Turn handles on faucet to the full on position and inspect to insure that there is no leaking underneath lavatory.



8. Turn on water supply valves and check for leaks, especially at hook-ups to supply lines.



9. Remove the aerator before turning on your new faucet for the first time. This is to prevent any deposits from clogging your aerator. Allow both hot and cold water to run for one minute. Replace aerator.