

10 YEAR MANUFACTURER'S
LIMITED WARRANTY

All parts of this Kingston Brass faucet are warranted to the original retail purchaser to be free from defects in material and workmanship for a period of Ten(10) years from the date of purchase as shown on the purchaser's receipt.

This warranty is limited to defective parts only, labor charges and/or damage resulting from improper installation, repair or replacements, as well as incidental and consequential damages connected therewith are excluded.

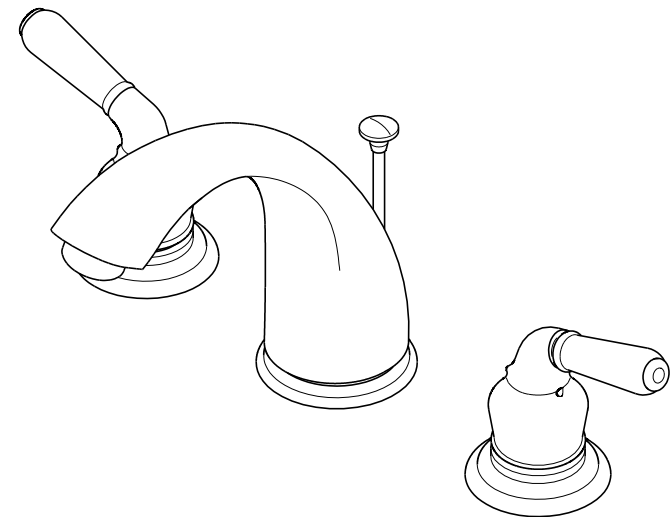
Any damage to this faucet as a result of misuse, abuse, neglect, accident, or improper installation or any use not consistent with the instructions furnished by us, will void this warranty.

Replacement parts can be obtained from your local dealer. Freight cost is not covered by Manufacture.

CAUTION!!!

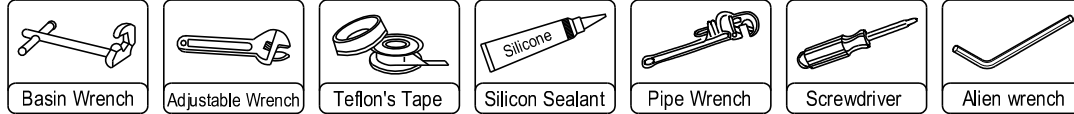
1. Water lines must be completely flushed before use, to avoid debris & clogs in your water system leading to mal-function and reduction of water flow.
2. Warranty to be void if water lines are not flushed before use of new faucet.
3. Use of abrasives of any strength may damage the finish of your faucet and void this warranty.

CODE APPROVAL: LA#M-000018



www.kingstonbrass.com
TOLL-FREE CUSTOMER SERVICE: 877-2-KBRASS
TECHNICAL SUPPORT E-mail: service@kingstonbrass.com
6240 Prescott Court, Chino, CA91710

Tools :

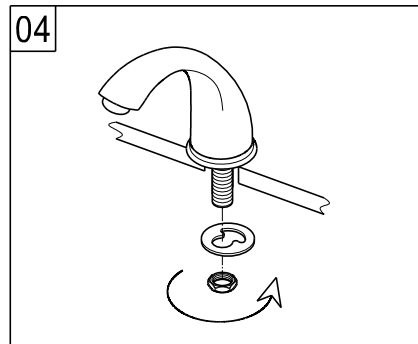
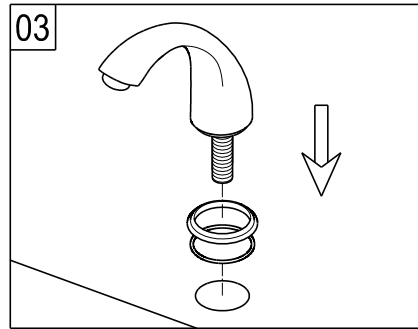
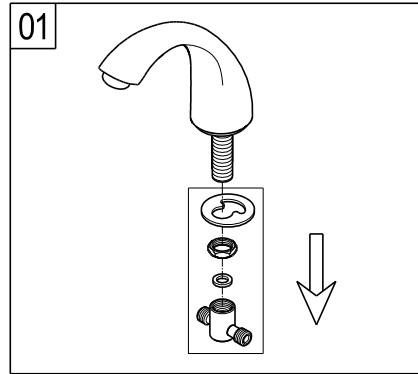


CAUTION: Before You Begin (May Void Warranty)

1. Flush both supply lines to clear any debris.
2. Shut off both supply lines after flushing.

INSTALLATION

- 01 1. Remove the Tee Connector (16,17) and spout mounting hardware(14,15) from spout (9).
- 02 2. Sparingly apply a small bead of silicon caulking around the center hole on top of the sink (do not use Plumber's Putty as it may damage finish and void warranty).
- 03 3. From the top of the sink insert the spout base ring(10) (if applicable) and spout (9) through the center hole.
- 04 4. Thread the spout mounting hardware (14,15) back onto the spout, Hand tighten lock nut.

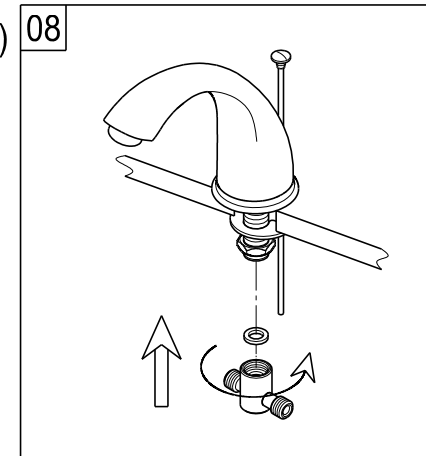
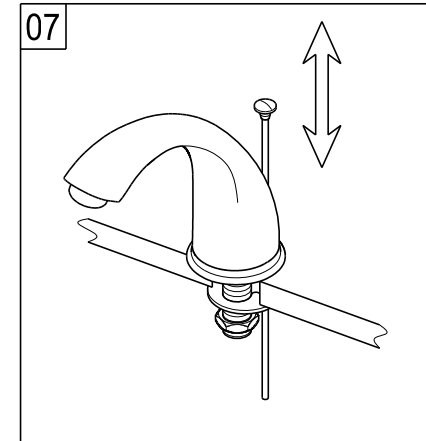
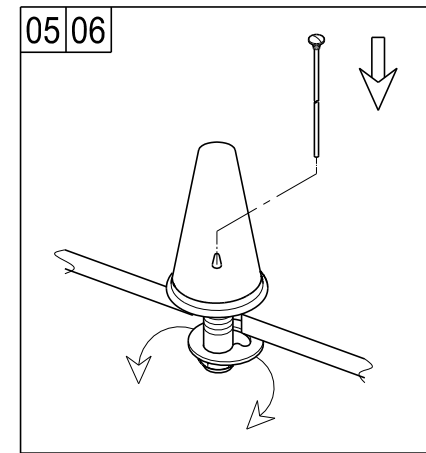


- 05 5. Insert the pop-up rod (8) through the hole in the back or top of the spout. (see pop-up installation below).

- 06 6. Rotate the notched metal washer (14), to insure smooth movement of the pop-up rod.

- 07 7. Tighten the brass lock nut(15), test pop-up rod for ease of operation.

- 08 8. Place the tee connector washer(16) and thread tee connector(17) on to spout shank.

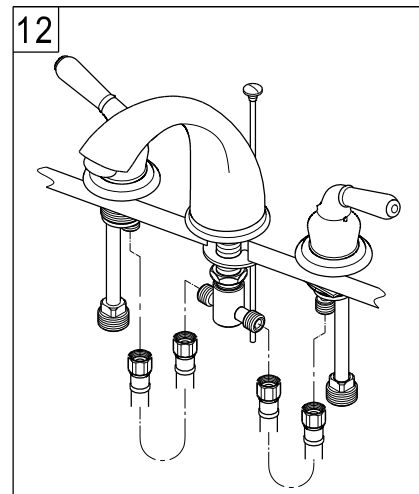
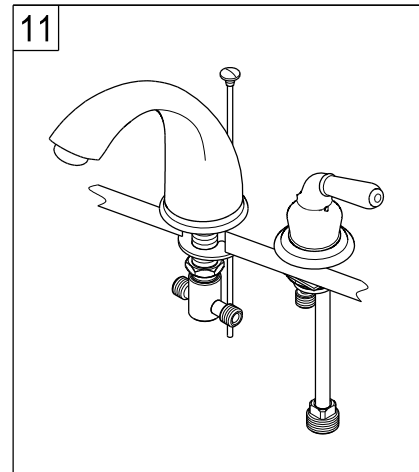
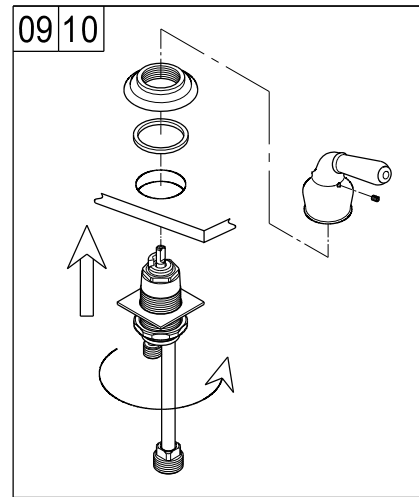


09 9. Insert Stem assembly through the appropriate hole from the top of the sink or counter.

10 10. Hot and Cold Stem assemblies(33,34) are easily Identifiable by a Red(Hot) or Blue (Cold) band, thread handle flange(21)(if Applicable) and escutcheon (19) onto stem assembly.

11 11. From underneath screw the valve body, thread rubber washer(12), metal washer(13) and brass lock nut (14), align direction of stem assembly, making sure that the outlet port (Short) of stem assembly is aimed towards the tee connector.

12 12. Attach flex lines(included) to outlet port of Stem assembly and spout tee (17),(you may need to loop flex lines) use caution to not over tighten.



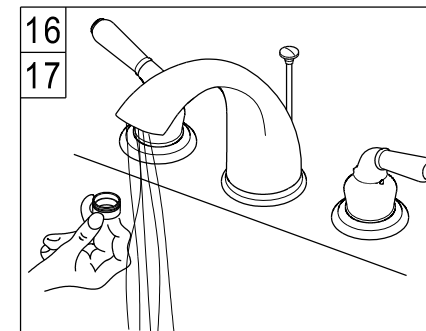
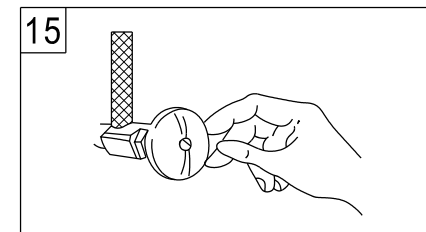
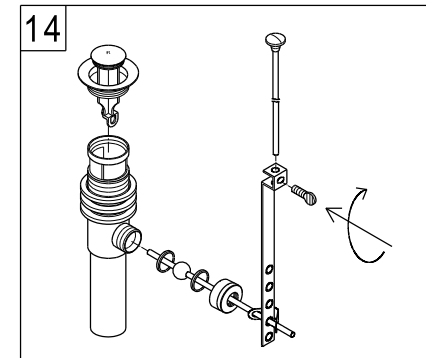
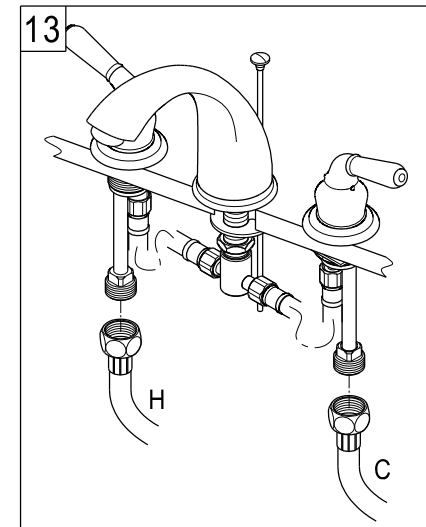
13 13. Install inlet flexible lines (not included) to inlet port of stem assembly.

14 14. Install Pop-up assembly as per instructions below.

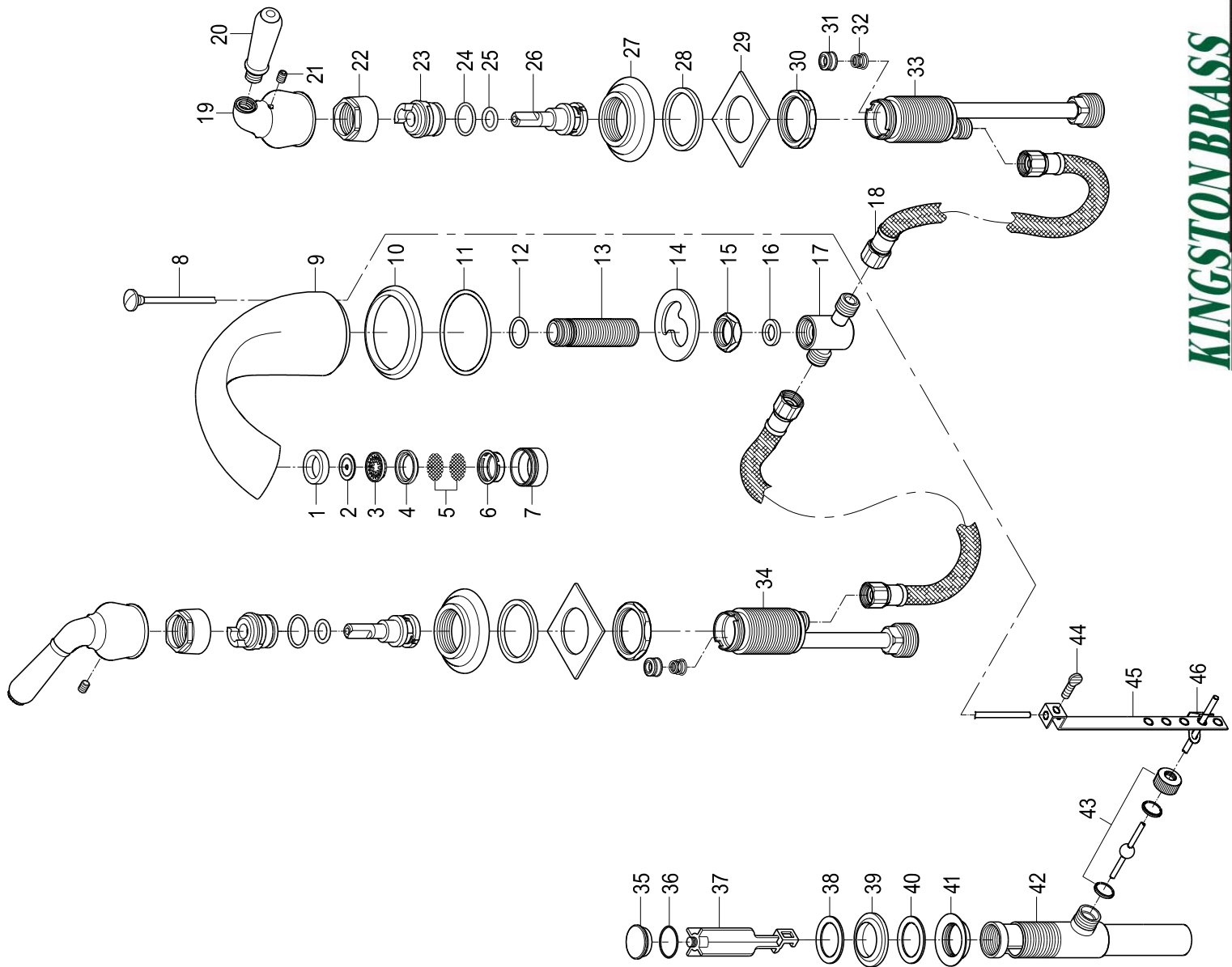
15 15. Once connections have been made turn on water supply and check for leaks.

16 16. If no leakage remove aerator(7) from spout and turn the handles to the full open position, let the water run for at least 30 seconds.

17 17. Replace aerator.



Bom Chart :



KINGSTON BRASS
THE TRADITION OF FINE BRASS

Other Handles Choose :

| | | | |
|-----------|-----------|------------|-----------|
| | | | |
| KL Handle | LL Handle | ALL Handle | PX Handle |