

10 YEAR MANUFACTURER'S
LIMITED WARRANTY

All parts of this Kingston Brass faucet are warranted to the original retail purchaser to be free from defects in material and workmanship for a period of Ten(10) years from the date of purchase as shown on the purchaser's receipt.

This warranty is limited to defective parts only, labor charges and/or damage resulting from improper installation, repair or replacements, as well as incidental and consequential damages connected therewith are excluded.

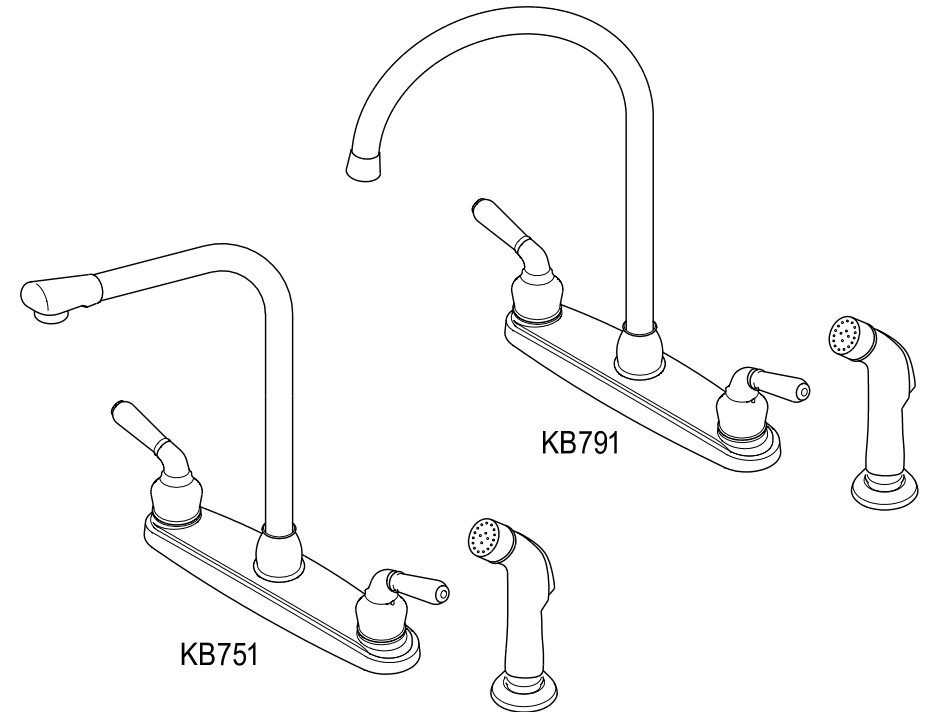
Any damage to this faucet as a result of misuse, abuse, neglect, accident, or improper installation or any use not consistent with the instructions furnished by us, will void this warranty.

Replacement parts can be obtained from your local dealer.

CAUTION!!!

1. Water lines must be completely flushed before use, to avoid debris & clogs in your water system leading to mal-function and reduction of water flow.
2. Warranty to be void if water lines are not flushed before use of new faucet.
3. Use of abrasives of any strength may damage the finish of your faucet and void this warranty.

CODE APPROVAL: LA#M-000018



www.kingstonbrass.com
 TOLL-FREE CUSTOMER SERVICE: 877-2-KBRASS
 TECHNICAL SUPPORT E-mail: service@kingstonbrass.com
 6240 Prescott Court, Chino, CA91710

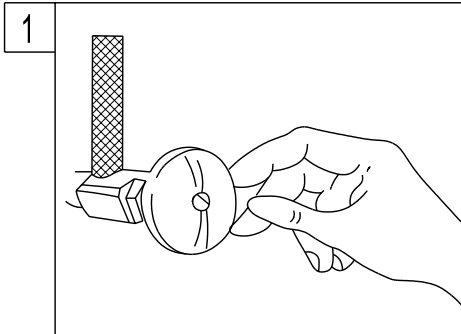
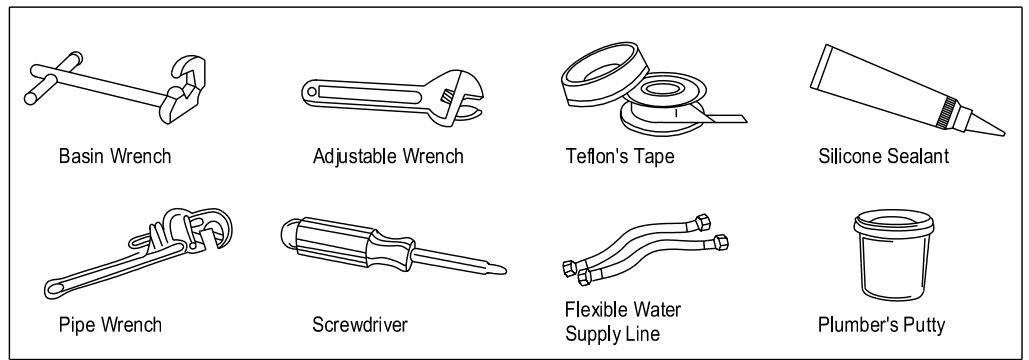
| | Handle Type | Porcelain Lever | American Lever | American Cross | Nautica Modern Lever | Diade Handle | Spout Type |
|-----------------------|-------------------|-----------------|----------------|----------------|----------------------|--------------|------------|
| | Finish | | | | | | |
| With White Sprayer | Chrome | KB711 | KB711AL | KB711X | KB751 | KB762 | High Arch |
| | Oil Rubbed Bronze | KB715 | KB715AL | KB715X | KB755 | | |
| | Antique Copper | | KB716AL | | | | |
| | Satin Nickel | KB718 | KB718AL | KB718X | KB758 | | |
| | Chrome | KB721 | KB721AL | KB721X | KB791 | KB782 | Goose Neck |
| | Oil Rubbed Bronze | KB725 | KB725AL | KB725X | KB795 | | |
| | Antique Copper | | KB726AL | | | | |
| | Satin Nickel | KB728 | KB728AL | KB728X | KB798 | | |
| Without White Sprayer | Chrome | | | | KB750 | KB761 | High Arch |
| | Antique Copper | | KB716ALLS | | KB756LS | | |
| | Chrome | | | | KB790 | KB781 | Goose Neck |
| | Antique Copper | | KB726ALLS | | KB796LS | | |

INSTALLATION INSTRUCTIONS

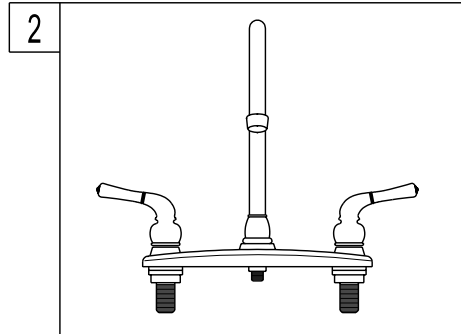
For Use With KB's Two Handle Kitchen Faucets
With or Without Sprayer

NOTE:

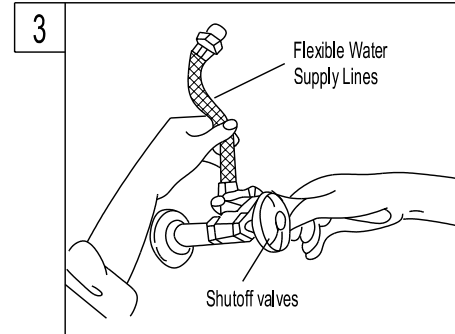
1. FLUSH LINE BEFORE FAUCET INSTALLATION TO REMOVE DEBRIS IN LINES.
2. NO PLUMBER'S PUTTY ON ANY FINISH TO CORRODE FINISH OF FAUCET SURFACE.



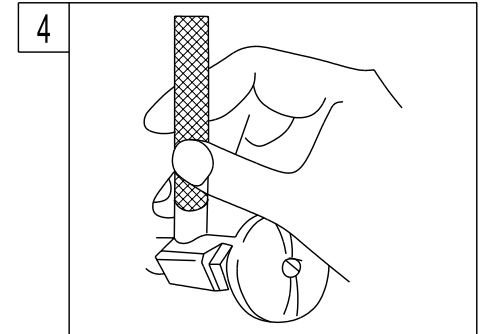
1. Shut off hot and cold water supply under sink. Plug sink drain with cloth to avoid losing small parts. Remove old faucet.



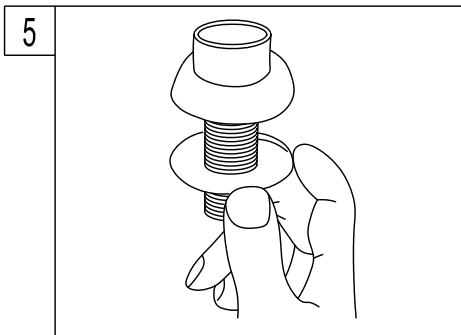
2. Set the faucet in place, insert the inlet shanks through the sink holes, and press down. Assemble the washers and locknuts on the inlet shanks, and then tighten the nuts with hand.



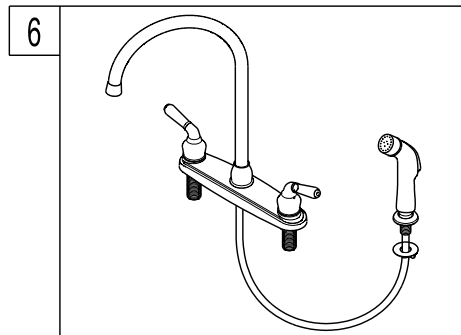
3. Connect the water supply lines. Before connecting the supply lines, apply pipe joint compound to the threads on the inlet shanks and shut off valves.



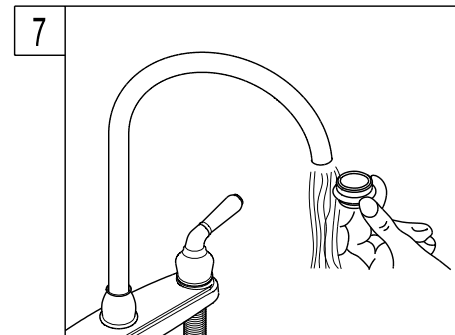
4. Turn on water supply valves and check for leaks, especially at hook-ups to supply lines.



5. For model is with spray head and hose. Place the spray guide through the fourth hold in the sink, screw the locknut onto the shank and tighten firmly.



6. Insert the hose through the guide and attach to the fitting on the bottom of the faucet. Attach spray head to the hose.



7. Remove the aerator before turning on your new faucet for the first time. This is to prevent any deposits from clogging your aerator. Allow both hot and cold water to run for one minute. Replace aerator.