

10 YEAR MANUFACTURER'S
LIMITED WARRANTY

All parts of this Kingston Brass faucet are warranted to the original retail purchaser to be free from defects in material and workmanship for a period of Ten(10) years from the date of purchase as shown on the purchaser's receipt.

This warranty is limited to defective parts only, labor charges and/or damage resulting from improper installation, repair or replacements, as well as incidental and consequential damages connected therewith are excluded.

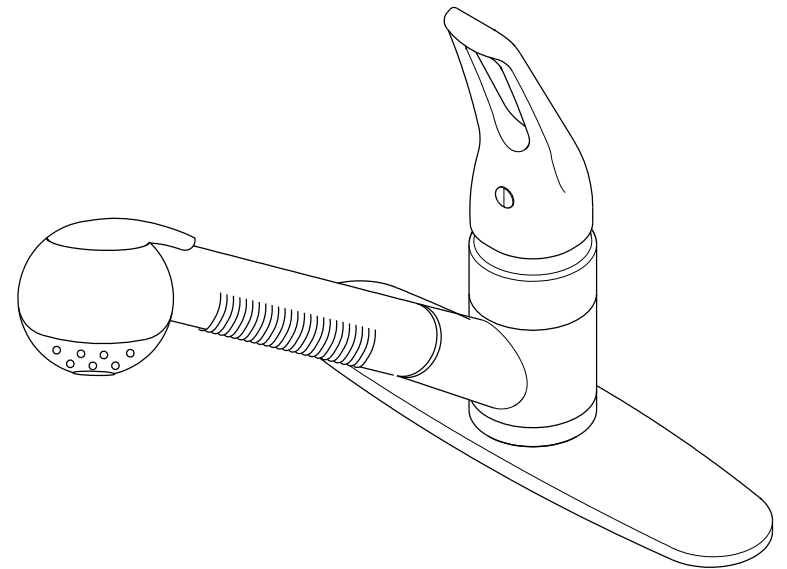
Any damage to this faucet as a result of misuse, abuse, neglect, accident, or improper installation or any use not consistent with the instructions furnished by us, will void this warranty.

Replacement parts can be obtained from your local dealer. Freight cost is not covered by Manufacture.

CAUTION!!!

1. Water lines must be completely flushed before use, to avoid debris & clogs in your water system leading to mal-function and reduction of water flow.
2. Warranty to be void if water lines are not flushed before use of new faucet.
3. Use of abrasives of any strength may damage the finish of your faucet and void this warranty.

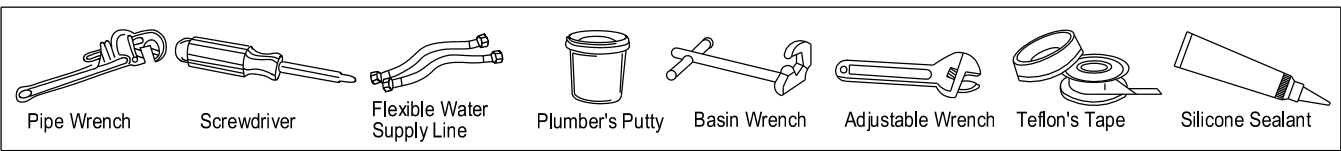
CODE APPROVAL: LA#M-000018



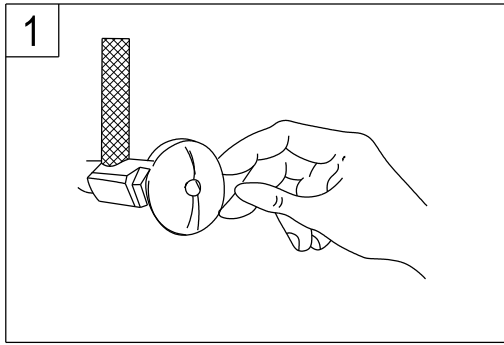
www.kingstonbrass.com
TOLL-FREE CUSTOMER SERVICE: 877-2-KBRASS
TECHNICAL SUPPORT E-mail: service@kingstonbrass.com
6240 Prescott Court, Chino, CA91710

INSTALLATION INSTRUCTIONS

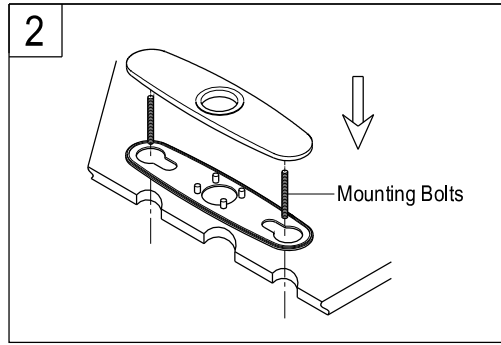
For Use With KB's Pull-Out Spout Kitchen Faucet



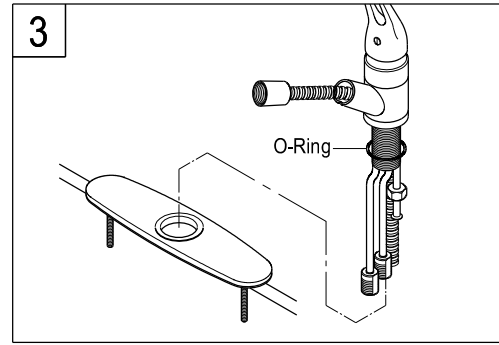
NOTE: 1. Flush plumbing lines to clear debris in pipe and plumbing lines to avoid existing clogs into waterway & cartridge system of new faucet fixture. 2. Shut off both supply lines after flushing.



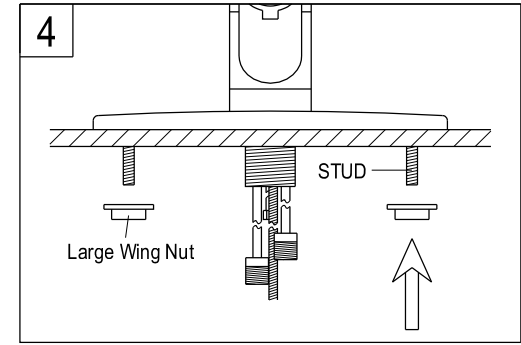
1. Shut off hot and cold water supply under sink, plug the sink drain with cloth to avoid losing small parts then remove the old faucet.



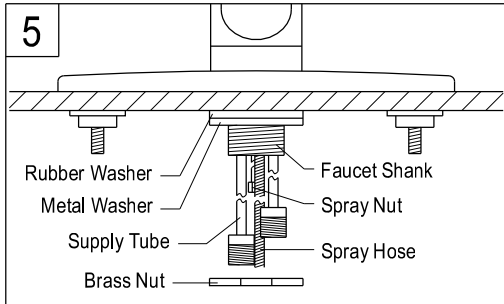
2. For Installation using the Deck plate, Thread mounting bolts(62) into deck plate, place plastic plate under the deck plate smooth side down and place the plates on deck. Making sure to align center hole on plate with center hole on counter or sink, as to allow for easy insertion of spout.



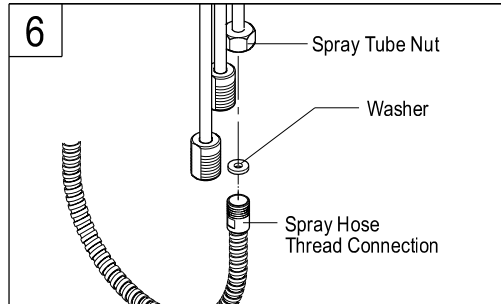
3. Insert O Ring into bottom groove of faucet, from above insert faucet, making sure to center the front of the faucet. (please note, your Kingston brass faucet has a swivel range of 105°, so it is important that you take the time to align the faucet properly, by making sure that the handle faces forward at center closed position and that spout swivel range is centered.)



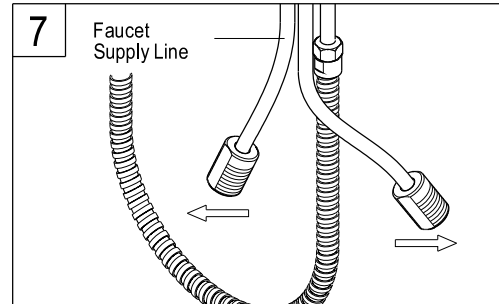
4. Secure faucet by threading wing nut onto mounting bolts and tighten until deck plate feels firmly secure.



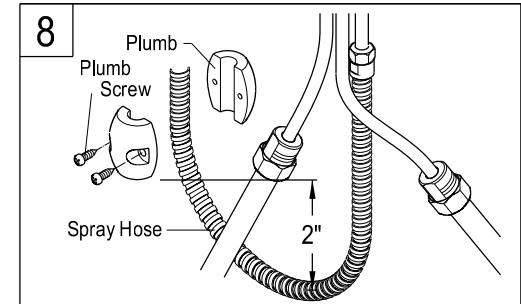
5. Pull the stainless steel hose up through the faucet till the attachment nut is up against the bottom of the faucet shank, From underneath slip on Rubber gasket and brass washer onto the shank then thread with Brass nut, tighten lightly with hand and check faucet alignment, then retighten with wrench.



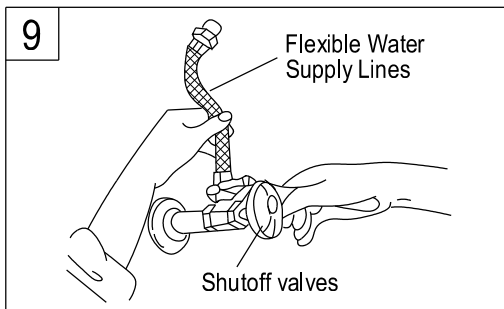
6. Wrap Teflon tape on inlet supply lines and install flexible water supply lines (not included), and secure with spray tube nut, tighten with wrench carefully.



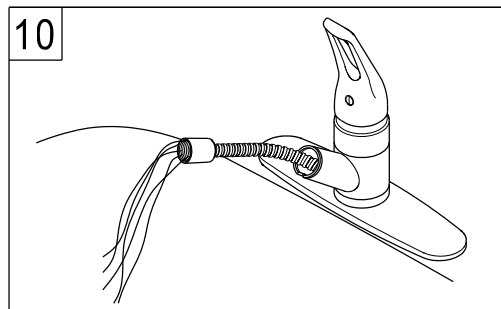
7. If the faucet supply lines need to be bent, grip the bend point of tube with right hand, slowly and firmly pull the tube into position using rounded bend with left hand. Extremely care must be exercised; kinked tubes will void the warranty.



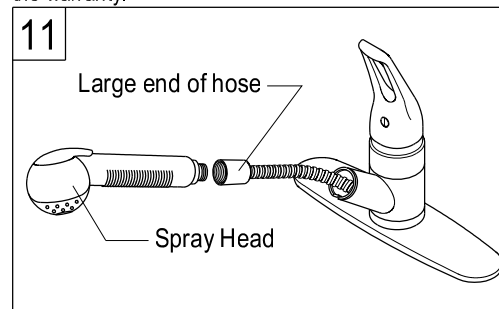
8. Under the sink, attach the plumb onto the spray hose. Adjust the plumb at least 2" higher than the bottom lines and fix with screws tightly.



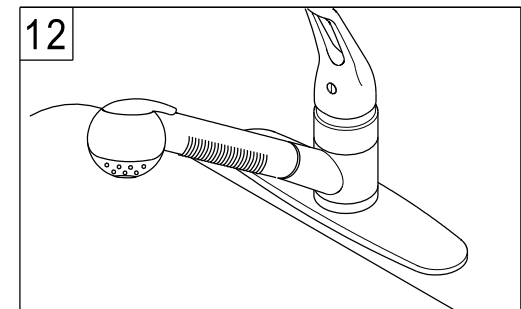
9. Once all connection have been made turn on water supply and check for leaks.



10. Pull the stainless steel hose assembly out of the spout and hold into the sink, turn faucet on to the full mixed position, let the water run for at least 1 minutes to flush the lines.



11. Attach the spray head to the large end of the stainless steel hose and press the soft oval button to assure the shower head is working.



12. Insert the spray head onto the faucet body to assure the hose assembled correctly.