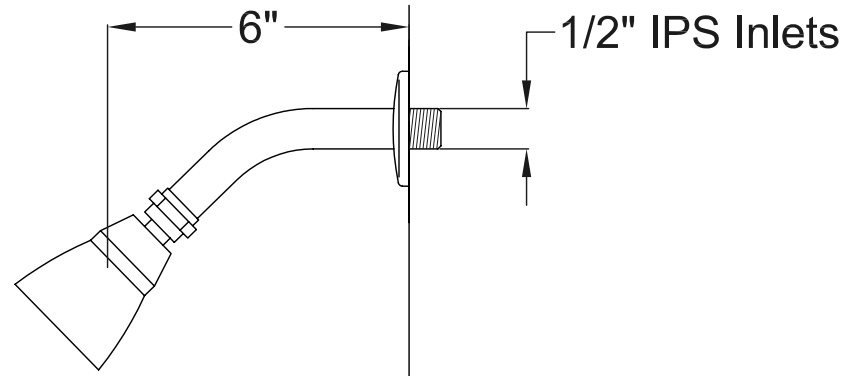
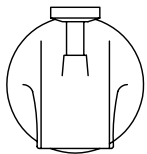
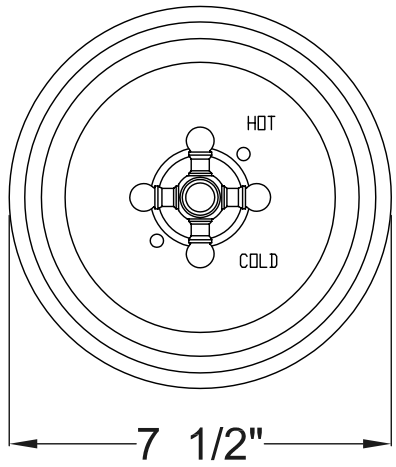
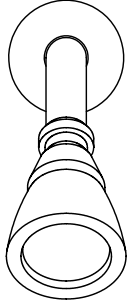


KB2631,2,5,8BX

Metropolitan Pressure Tub Filler



Min: 1 "
Max: 1 5/8"

