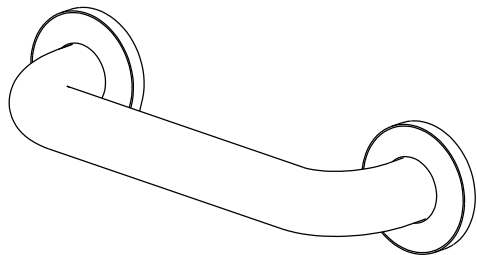
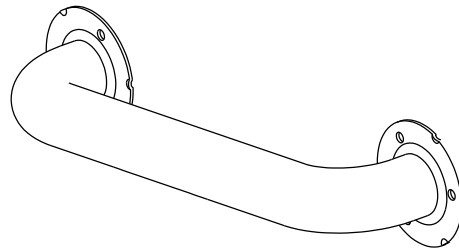
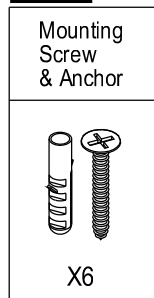


Grab Bar with or without Cover Installation

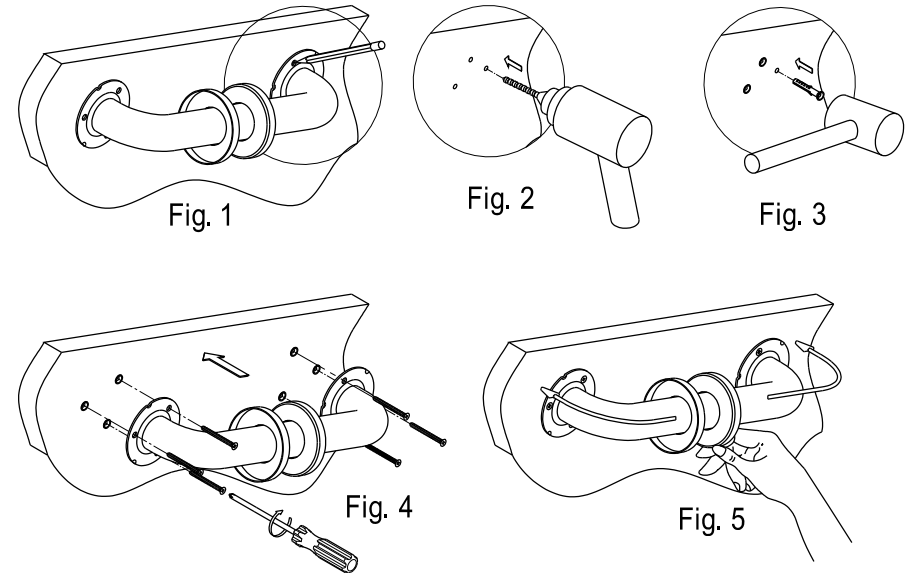
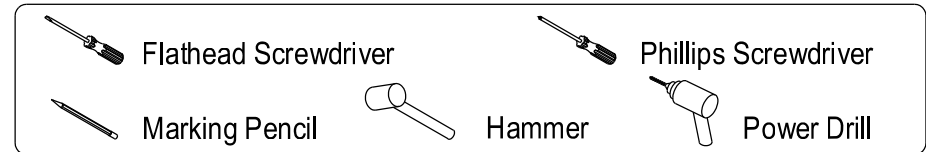


Parts:



MODEL	FINISH
CS	Stainless Steel, with Cover
CT	Stainless Steel, with Cover, Textured
ES	Stainless Steel, without Cover
ET	Stainless Steel, without Cover, Textured

TOOLS REQUIRED



Installation Steps:

- Step 1. Locate position on the wall and mark location of the holes for mounting screws. (Fig.1)
- Step 2. Drill holes at the marked locations. (Fig.2)
- Step 3. Insert anchors into the holes until flush with wall. (Fig.3)
- Step 4. Place the unit by tightening mounting screws with phillips screwdriver until the base is tightly fixed. (Fig.4)
- Step 5. Shift cover along the base and place the cover over the mounting plate by pressing gently until the cover is tightly fixed. (Fig.5)

Cleaning

Clean with a damp cloth only.
Avoid using metal or abrasive polishes.