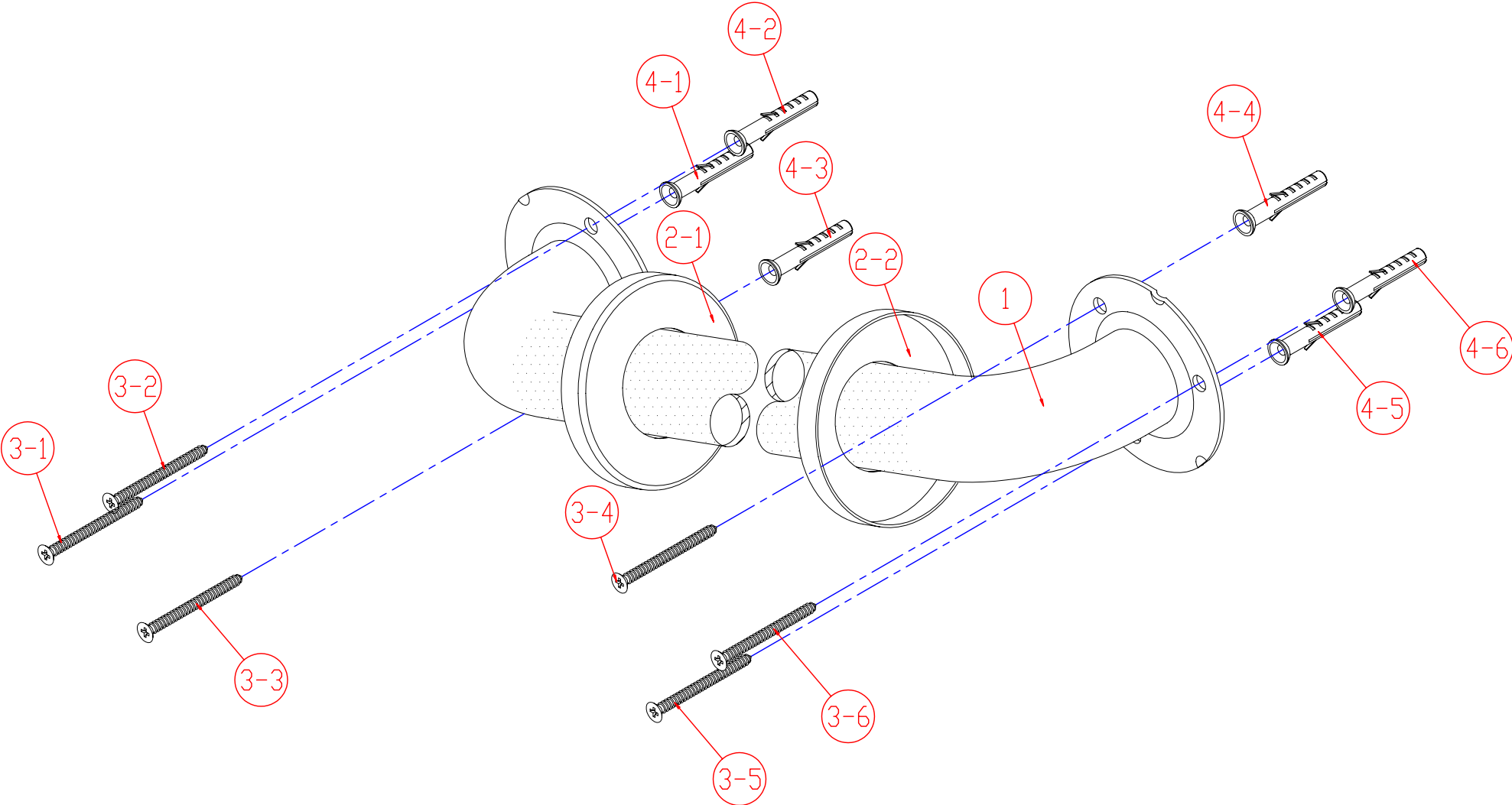


COMMERCIAL GRADE GRAB BAR



MODEL	DESCRIPTION	FINISH
GB1216CT	16" Grab Bar Concealed with Flange Cover, Textured Bar	Satinless Steel