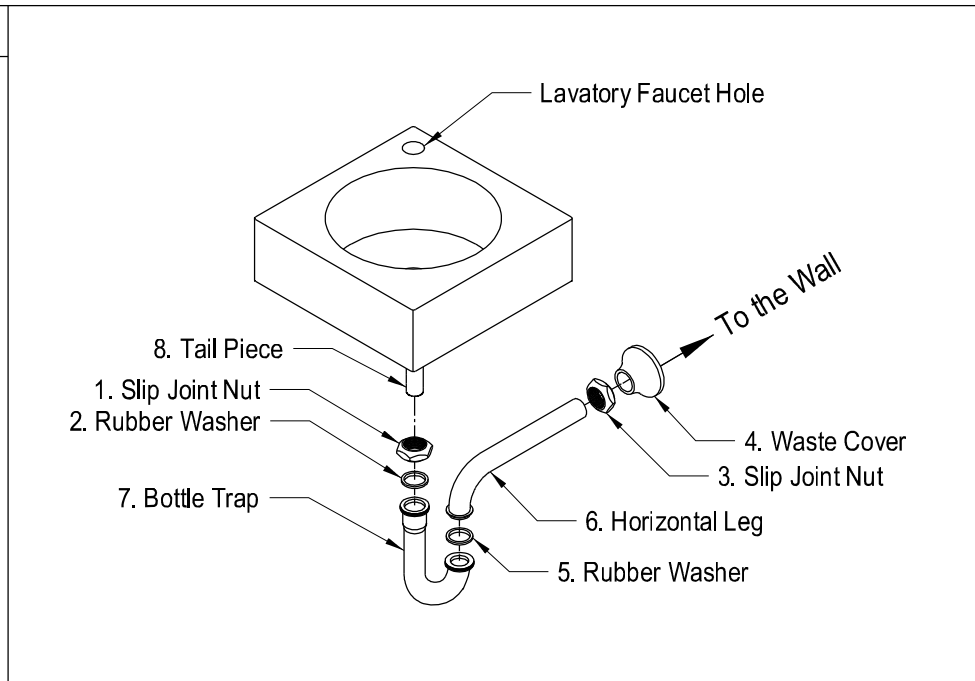


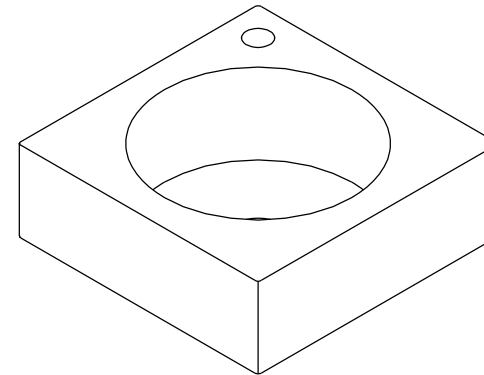
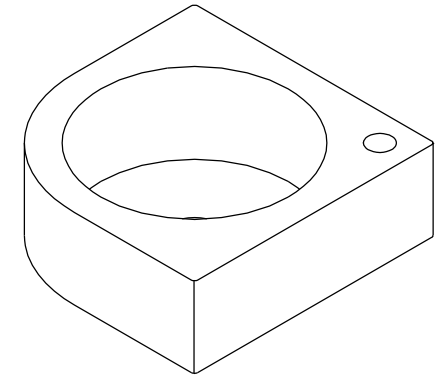
## P-Trap Installation:

7



1. Remove horizontal leg and slip joint nut from bottle trap.
2. Apply teflon to all exposed threads.
3. Insert slip joint nut(3) and waste cover(4) onto horizontal leg(6).
4. Insert horizontal leg into wall waste opening, do not tighten.
5. Insert rubber washer(2) and slip joint nut(1) onto tail piece(8).
6. Attach bottle trap(7) to tail piece and hand tighten slip joint nut(1).
7. Align bottle trap with horizontal leg and tail piece, at this point it may be necessary to cut part of tail piece or part of horizontal leg to obtain proper alignment.
8. After all components have been properly aligned, insert horizontal leg making sure to insert rubber washer(5) before tightening slip joint nut
9. Thread both slip joint nuts onto bottle trap and tighten along with slip joint securing horizontal leg to wall waste opening.
10. Check for leakage by opening faucet and letting water run for at least 45 seconds.

**FAUCETURE**<sup>®</sup>  
KINGSTON CREATION



[www.kingstonbrass.com](http://www.kingstonbrass.com)

TOLL-FREE CUSTOMER SERVICE: 1-877-2-KBRASS

TECHNICAL SUPPORT E-mail: [service@kingstonbrass.com](mailto:service@kingstonbrass.com)

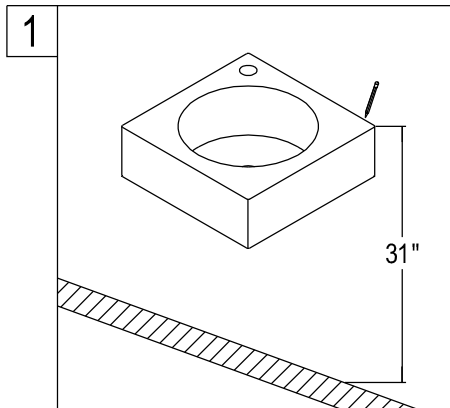
12775 Reservoir Street, Chino, CA91710

# FAUCETURE<sup>®</sup>

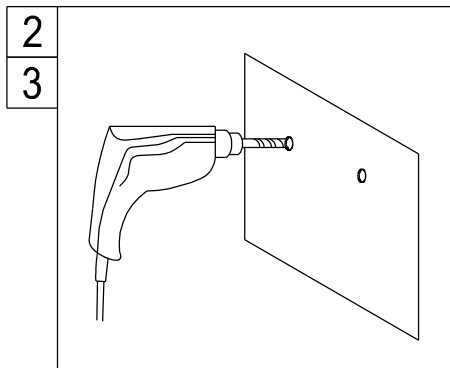
KINGSTON CREATION

## INSTALLATION INSTRUCTIONS FOR For Use WALL MOUNT BASIN

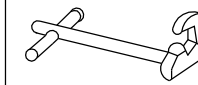
1. Prior the installation, unpack your new Kingston Brass product and inspect it keep the product in its original package until you are ready to install it
2. Shut the water supply off when replacing an existing fixture.  
Preparation of the floors and walls, including all additional wall supports, maybe required.
3. Observe all local plumbing and building codes.
4. Do not install this fixture alone.
5. Make sure to select appropriate drain as some of Kingston Brass vessel sinks do not include overflow hole.



1. Measure the desire counter height from the floor (31" suggested)



2. Mark hole position by measuring the distance from counter height to center of mounting hole and center to center between two mounting hole.
3. Drill two 1/2" holes, insert anchors and tighten.



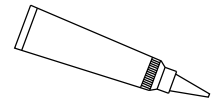
Basin Wrench



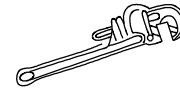
Adjustable Wrench



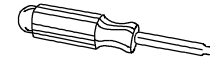
Drill



Silicone Sealant



Pipe Wrench



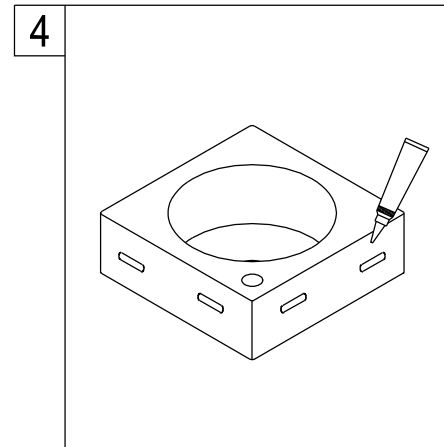
Screwdriver



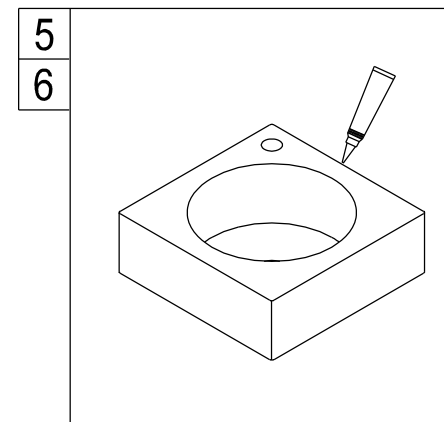
Scroll Saw



Plumber's Putty



4. Apply caulking to the backside of the sink.



5. Position sink on anchors, insert oval washer, pressure washers and thread lock nut. Please be careful not to over tighten.
6. Apply caulking to the perimeter of the backside of the sink.